



INTERNATIONAL APPLICATION PUBLISHED UNDER THE PATENT COOPERATION TREATY (PCT)

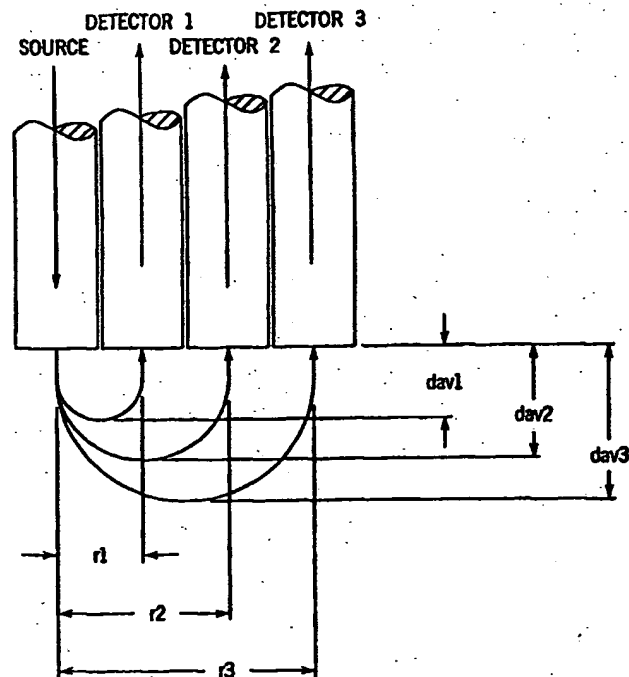
(51) International Patent Classification ⁶ : A61B 5/00, G01N 21/47	A1	(11) International Publication Number: WO 99/59464 (43) International Publication Date: 25 November 1999 (25.11.99)
(21) International Application Number: PCT/US99/10812 (22) International Filing Date: 17 May 1999 (17.05.99) (30) Priority Data: 09/080,470 18 May 1998 (18.05.98) US (71) Applicant: ABBOTT LABORATORIES [US/US]; CHAD-0377/AP6D-2, 100 Abbott Park Road, Ab- bott Park, IL 60064-6050 (US). (72) Inventors: KHALIL, Omar, S.; 1506 Portwine Court, Liber- tyville, IL 60048 (US). DEMUL, Frits, F., M.; De Delle 98, NL-7609 CJ Almelo (NL). HANNA, Charles, F.; 410 West Lincoln Avenue, Libertyville, IL 60048 (US). STALDER, Arnold, F.; 3245 99th Street, Kenosha, WI 53142 (US). YEH, Shu-Jen; 920 Stratford Court, Grayslake, IL 60030 (US). WU, Xiaomao; 17188 West Gurnee Glen, Gurnee, IL 60031 (US). LOWREY, Michael, G.; Apartment 201, 33720 Royal Oak Lane, Wildwood, IL 60030 (US). KANGER, Jo- hannes, S.; Westerstraat 62, NL-7546 BK Enschede (NL). BOLT, René, A.; Westerstraat 62, NL-7522 DB Enschede (NL).	(74) Agents: WEINSTEIN, David, L. et al.; Abbott Laboratories, CHAD 0377/AP6D-2, 100 Abbott Park Road, Abbott Park, IL 60064-6050 (US). (81) Designated States: CA, JP, European patent (AT, BE, CH, CY, DE, DK, ES, FI, FR, GB, GR, IE, IT, LU, MC, NL, PT, SE). Published <i>With international search report.</i>	

(54) Title: NON-INVASIVE OPTICAL SENSOR WITH CONTROL OF TISSUE TEMPERATURE

(57) Abstract

Devices and methods for non-invasively measuring at least one parameter of a sample, such as the presence or concentration of an analyte, in a body part wherein the temperature is controlled. The present invention measures light that is reflected, scattered, absorbed, or emitted by the sample from an average sampling depth, d_{av} , that is confined within a temperature controlled region in the tissue. This average sampling depth is preferably less than 2 mm, and more preferably less than 1 mm. Confining the sampling depth into the tissue is achieved by appropriate selection of the separation between the source and the detector and the illumination wavelengths. In another aspect, the invention involves a method and apparatus for non-invasively measuring at least one parameter of a body part with temperature stepping. In another aspect, the invention involves a method and apparatus for non-invasively measuring at least one parameter

of a body part with temperature modulation. In another aspect, the invention provides an improved method of measuring at least one parameter of a tissue sample comprising the steps of: (a) lowering the temperature of said tissue sample to a temperature that is lower than the normal physiological temperature of the body; and (b) determining at least one optical property of said tissue sample.



FOR THE PURPOSES OF INFORMATION ONLY

Codes used to identify States party to the PCT on the front pages of pamphlets publishing international applications under the PCT.

AL	Albania	ES	Spain	LS	Lesotho	SI	Slovenia
AM	Armenia	FI	Finland	LT	Lithuania	SK	Slovakia
AT	Austria	FR	France	LU	Luxembourg	SN	Senegal
AU	Australia	GA	Gabon	LV	Latvia	SZ	Swaziland
AZ	Azerbaijan	GB	United Kingdom	MC	Monaco	TD	Chad
BA	Bosnia and Herzegovina	GE	Georgia	MD	Republic of Moldova	TG	Togo
BB	Barbados	GH	Ghana	MG	Madagascar	TJ	Tajikistan
BE	Belgium	GN	Guinea	MK	The former Yugoslav Republic of Macedonia	TM	Turkmenistan
BF	Burkina Faso	GR	Greece	ML	Mali	TR	Turkey
BG	Bulgaria	HU	Hungary	MN	Mongolia	TT	Trinidad and Tobago
BJ	Benin	IE	Ireland	MR	Mauritania	UA	Ukraine
BR	Brazil	IL	Israel	MW	Malawi	UG	Uganda
BY	Belarus	IS	Iceland	MX	Mexico	US	United States of America
CA	Canada	IT	Italy	NE	Niger	UZ	Uzbekistan
CF	Central African Republic	JP	Japan	NL	Netherlands	VN	Viet Nam
CG	Congo	KE	Kenya	NO	Norway	YU	Yugoslavia
CH	Switzerland	KG	Kyrgyzstan	NZ	New Zealand	ZW	Zimbabwe
CI	Côte d'Ivoire	KP	Democratic People's Republic of Korea	PL	Poland		
CM	Cameroun	KR	Republic of Korea	PT	Portugal		
CN	China	KZ	Kazakstan	RO	Romania		
CU	Cuba	LC	Saint Lucia	RU	Russian Federation		
CZ	Czech Republic	LI	Liechtenstein	SD	Sudan		
DE	Germany	LK	Sri Lanka	SE	Sweden		
DK	Denmark	LR	Liberia	SG	Singapore		
EE	Estonia						

NON-INVASIVE OPTICAL SENSOR WITH CONTROL OF TISSUE TEMPERATURE

BACKGROUND OF THE INVENTION

5

1. Field of the Invention

This invention relates to devices and methods for measuring the concentration of one or more analytes in a human body part. More specifically, this invention relates to devices and methods for the noninvasive determination of *in vivo* analyte concentrations under conditions of precise temperature control.

10

2. Discussion of the Art

15

20

25

Non-invasive optical monitoring of metabolites is an important tool for clinical diagnostics. The ability to determine an analyte, or a disease state, in a human subject without performing an invasive procedure, such as removing a sample of blood or a biopsy specimen, has several advantages. These advantages include ease of performing the test, reduced pain and discomfort, and decreased exposure to potential biohazards. The result will be increased frequency of testing, accurate monitoring and control, and improved patient care. Representative examples of non-invasive measurements include pulse oximetry for oxygen saturation (U. S. Patent Nos. 3,638,640; 4,223,680; 5,007,423; 5,277,181; 5,297,548), laser Doppler flowmetry for diagnosis of circulation disorder (Toke et al, "Skin microvascular blood flow control in long duration diabetics with and without complication", Diabetes Research, Vol. 5, Pages 189-192, 1987), determination of tissue oxygenation (WO 92/20273), determination of hemoglobin (U. S Patent No. 5,720,284) and of hematocrit (U. S Patent Nos. 5,553,615; 5,372,136; 5,499,627; WO 93/13706).

Measurements in the near-infrared spectral region are commonly proposed, or used, in prior art technologies. The 600 - 1100 nm region of the spectrum represents a window between the visible hemoglobin and melanin absorption bands and the infrared strong water absorption band. Light can
5 penetrate deep enough in the skin to allow use in a spectral measurement or a therapeutic procedure.

Oximetry measurement is very important for critical patient care, especially after use of anesthesia. Oxygenation measurements of tissue are also important diagnostic tools for measuring oxygen content of the of the brain
10 of the newborn during and after delivery and for sports medicine and tissue healing monitoring. Non-invasive determination of hemoglobin and hematocrit would offer a simple non-biohazardous painless procedure for use in blood donation centers, thereby increasing the number of donations by offering an alternative to the invasive procedure, which is inaccurate and could lead to
15 rejection of a number of qualified donors. Hemoglobin and hematocrit values are useful for the diagnosis of anemia in infants and mothers, without the pain associated with pediatric blood sampling. Non-invasive determination of hemoglobin has been studied in the art as a method for localizing tumors and diagnosis of hematoma and internal bleeding. Non-invasive hematocrit
20 measurements can yield important diagnostic information on patients with kidney failure before and during dialysis. There are more than 50 million dialysis procedures performed in the United States and close to 80 million procedures performed world-wide per year.

The most important potential advantage for non-invasive diagnostics
25 possibly will for non-invasive diagnosis of diabetes. Diabetes mellitus is a chronic disorder of carbohydrate, fat, and protein metabolism characterized by an absolute or relative insulin deficiency, hyperglycemia, and glycosuria. At least two major variants of the disease have been identified. "Type I" accounts for about 10% of diabetics and is characterized by a severe insulin deficiency
30 resulting from a loss of insulin-secreting beta cells in the pancreas. The

remainder of diabetic patients suffer from "Type II", which is characterized by an impaired insulin response in the peripheral tissues (Robbins, S. L. et al., Pathologic Basis of Disease, 3rd Edition, W. B. Saunders Company, Philadelphia, 1984, p. 972). If uncontrolled, diabetes can result in a variety of adverse clinical manifestations, including retinopathy, atherosclerosis, 5 microangiopathy, nephropathy, and neuropathy. In its advanced stages, diabetes can cause blindness, coma, and ultimately death.

The principal treatment for Type I diabetes is periodic insulin injection. Appropriate insulin administration can prevent, and even reverse, some of the adverse clinical outcomes for Type I diabetics. Frequent adjustments of the 10 blood glucose level can be achieved either by discrete injections or, in severe cases, via an implanted insulin pump or artificial pancreas. The amount and frequency of insulin administration is determined by frequent or, preferably, continuous testing of the level of glucose in blood (i. e., blood glucose level).

15 Tight control of blood glucose in the "normal range", 60-120 mg/dL, is necessary for diabetics to avoid or reduce complications resulting from hypoglycemia and hyperglycemia. To achieve this level of control, the American Diabetes Association recommends that diabetics test their blood glucose five times per day. Thus, there is a need for accurate and frequent or, preferably, 20 continuous glucose monitoring to combat the effects of diabetes.

Conventional blood glucose measurements in a hospital or physician's office rely on the withdrawal of a 5-10 mL blood sample from the patient for analysis. This method is slow and painful and cannot be used for continuous glucose monitoring. An additional problem for hospitals and physician offices is 25 the disposal of testing elements that are contaminated by blood.

Implantable biosensors have also been proposed for glucose measurement. (G. S. Wilson, Y. Zhang, G. Reach, D. Moatti-Sirat, V. Poitout, D. R. Thevenot, F. Lemonnier, and J.-C. Klein, *Clin. Chem.* 38, 1613 (1992)). Biosensors are electrochemical devices having enzymes immobilized at the 30 surface of an electrochemical transducer.

Portable, "minimally-invasive" testing systems are now commercially available. These systems require the patient to stick themselves to obtain a drop of blood which is then applied to a disposable test strip containing coated reagents or an electrochemical test element.

5 Although the portable instruments that read the strips are relatively inexpensive (\$100-\$200), the cumulative cost to diabetics for the disposable strips is considerable. Compliance is another major problem for minimally invasive techniques. Finger sticks are painful and can result in infections, scarring, and nerve damage in the finger. Disposal of potentially biohazardous
10 test strips and lancets is yet another problem with these systems.

"Non-invasive" (alternatively referred to herein as "NI") glucose sensing techniques measure in-vivo glucose concentrations without collecting a blood sample. As defined herein, a "non-invasive" technique is one that can be used without removing a sample from, or without inserting any instrumentation into,
15 the tissues. The concept involves irradiating a vascular region of the body with electromagnetic radiation and measuring the spectral information that results from one of four primary processes: reflection, absorption, scattering, and emission. The extent to which each of these processes occurs is dependent upon a variety of factors, including the wavelength and polarization state of the
20 incident radiation and the glucose concentration in the body part. Glucose concentrations are determined from the spectral information by comparing the measured spectra to a calibration curve or by reference to a physical model of the tissue under examination. Various categories of non-invasive glucose measurement techniques will now be described.

25 NI techniques that utilize the absorption of infrared radiation can be divided into three distinct wavelength regimes: Near-infrared (NIR), Mid-infrared (MIR) and Far-infrared (FIR). As defined herein, NIR involves the wavelength range from about 600 nm to about 1200 nm, MIR involves the wavelength range from about 1200 nm to about 3000 nm and FIR involves the wavelength range

from about 3000 nm to about 25000 nm. As defined herein, "infrared" (or IR) is taken to mean a range of wavelengths from about 600 nm to about 25000 nm.

U. S. Patent Nos. 5,086,229; 5,324,979; and 5,237,178 describe non-invasive methods for measuring blood glucose level involving NIR radiation. In
5 general, a blood-containing body part (e. g., a finger) is illuminated by one or more light sources, and the light that is transmitted through the body part is detected by one or more detectors. A glucose level is derived from a comparison to reference spectra for glucose and background interferants. The 600-1100 nm spectral region contains a portion of the hemoglobin and water
10 absorption bands, which are several orders of magnitude more intense than glucose overtone absorption bands. Thus, errors in the measurement of hemoglobin absorption, water absorption, tissue scattering, and blood scattering will greatly affect the glucose signal measured in this spectral range. Determination of hemoglobin and study of the factors affecting the hemoglobin-
15 related signal are important for the determination of glucose when spectral data generated in the NIR region are employed. Thus, in addition to the diagnostic value of hemoglobin and hematocrit determinations, these determinations are important for estimating the variability in non-invasive glucose measurements. The NIR spectral region has been used for determination of blood oxygen
20 saturation, hemoglobin, hematocrit, and tissue fat content. It is also used for exciting and detecting compounds in photodynamic therapy.

The use of MIR radiation for NI glucose measurement has been described in U. S. Patent Nos. 5,362,966; 5,237,178; 5,533,509; and 4,655,225. The principles of operation are similar to those described for NIR radiation, except
25 that the penetration depth of the MIR radiation is less than that of NIR radiation. As a consequence, most measurements in this region have been performed using a backscattering geometry. As defined herein, a "backscattering geometry" describes a configuration wherein scattered radiation is collected on the same side of the sample as the entry point of the incident radiation. A
30 "transmission geometry" describes a configuration wherein light is transmitted

through the sample and collected on the side of the sample opposite to the entry point of the incident radiation. This spectral region is less useful for the determination of hemoglobin and hematocrit. However the 1300-1390 nm wavelength has been used as a reference and water absorption wavelength for hematocrit determination.

FIR measurements have been described in U. S. Patent Nos. 5,313,941; 5,115,133; 5,481,113; 5,452,716; 5,515,847; 5,348,003; and DE 4242083.

The photoacoustic effect results from the absorption of a pulse of optical energy by tissues of a test subject, which optical energy is rapidly converted into thermal energy. The subsequent thermal expansion generates an acoustic pressure wave, which is measured by an acoustic transducer. In addition to the absorption of light, the measured photoacoustic signal depends upon the speed of sound in the medium, the thermal expansion coefficient, and the specific heat of the medium.

Glucose measurements employing the photoacoustic effect have been described by Quan et al. (K. M. Quan, G. B. Christison, H. A. MacKenzie, P. Hodgson, *Phys. Med. Biol.*, 38 (1993), pp. 1911-1922) and U. S. Patent No. 5,348,002.

Methods for the determination of glucose concentrations using changes in the polarization of light are described WO 92/10131, WO 93/07801, WO 94/02837, WO 94/05984, and WO 94/13199 and U. S. Patent Nos. 4,882,492; 5,086,229; 5,209,231; 5,218,207; 5,321,265; 5,337,745; 5,361,758; and 5,383,452.

An electromagnetic wave incident on an isolated molecule with an electron cloud will cause the electrons to oscillate about their equilibrium positions, in synchrony with the applied wave. The resulting electronic oscillator instantaneously emits radiation (scatters) in all directions in a plane perpendicular to the oscillating electrons. Most of the scattered photons are elastically scattered,

i. e., they have the same frequency as the incident radiation. A small fraction of the scattered light (less than one in a thousand incident photons) is inelastically (Raman) scattered. Unless otherwise indicated herein, "scattering" refers to elastic scattering.

5 Because of the multiple scattering effect of tissue, optical measurements, whether in transmission or reflectance, will contain tissue scattering information, as well as absorption information. Tissue scattering information includes cell size and cell shape, depth of layers and refractive index of intracellular fluids and extracellular fluids. Absorption information includes absorption by visible
10 components, such as hemoglobin, melanin, and bilirubin, and the overtone absorption of water, glucose, lipids, and other metabolites.

 Spatially resolved light scattering (SRLS) techniques are a subset of the elastic scattering methods previously described. As shown in FIG 1, light is injected into the surface of a tissue sample, such as a body part, at an injection
15 point. The diffusely reflected light, R , is measured at two or more detection points located on the sample surface (e. g., the skin) at different detector distances, r , from the injection point. The dependence of the intensity of the diffuse reflectance R as a function of the detector distance (r) is used to derive scattering and absorption coefficients of the tissue sample. These coefficients,
20 in turn, are related to the concentration of analyte(s). SRLS techniques have been described U. S. Patent Nos. 5,551,422; 5,676,143; 5,492,118; 5,057,695, European Patent Application EP 0810429, and in the journal literature (B. Chance, H. Liu, T. Kitai, Y. Zhang, *Analytical Biochemistry*, 227, 1995, pp. 351-362. H. Liu, B. Beauvoit, M. Kimura, B. Chance, *Journal of Biomedical Optics*,
25 1(2), April, 1996, pp. 200-211. J. Qu, B. Wilson, *Journal of Biomedical Optics*, 2(3), July 1997, pp. 319-325; A. Kienle, L. Lilge, M. Patterson, R. Hibst, R. Steiner, B. Wilson, *Applied Optics*, 35(13), May 1996, pp. 2304-2314.

 Frequency-domain reflectance measurements use optical systems similar to those used for spatially resolved light scattering (R as a function of r), except
30 that the light source and the detector are modulated at a high frequency (U. S.

Patent Nos. 5,187,672; 5,122,974). The difference in phase angle and modulation between injected and reflected beam is used to calculate the reduced scattering coefficient and the absorption coefficient of the tissue or turbid medium. US Patent No. 5,492,769 describes frequency domain method
5 and apparatus for the determination of a change in the concentration of an analyte, and U. S. Patent No. 5,492,118 describes a method and apparatus for determination of the scattering coefficient of tissues.

U. S. Patent No. 5,553,616 describes the use of Raman scattering with NIR excitation and an artificial neural network for measuring blood glucose level.
10 Although glucose Raman bands are distinct from protein Raman bands, sensitivity of this method limits its applicability for in-vivo measurements. WO 92/10131 discusses the application of stimulated Raman spectroscopy for detecting the presence of glucose.

The NI techniques described above are painless, reagentless, and are
15 expected to be less expensive than the finger stick approach over the long term use by a patient. NI techniques also eliminate the potentially biohazardous waste associated with invasive and minimally invasive measurements. However, NI methods have not yet achieved the level of accuracy and precision that is required for measuring physiologically relevant concentrations of glucose in-vivo.

20 A major challenge for all of the non-invasive techniques to date has been to collect spectral information with sufficiently high signal-to-noise ratios to discriminate weak glucose signals from the background noise. In the ideal case, a non-invasive sensor would be highly sensitive for the parameter of interest (e. g., glucose concentration) while remaining insensitive to interfering analytes
25 or physiological parameters. In practice, all of the non-invasive measurement techniques described in the prior art are sensitive to one or more interfering "physiological" or "spectral" variables.

As used herein, the expression "physiological variables" describes
30 physiological parameters, such as temperature, that can adversely affect the sensitivity or selectivity of a non-invasive measurement. As used herein, the

expression "spectral variables" describes spectral features that arise either from poorly resolved analyte bands or from other interfering components in the sample. Several significant sources of spectral interference for the NI determination of glucose in biological samples are water, hemoglobin, albumin, cholesterol, urea, etc. Other tissue constituents that are present at lower concentrations or have lower absorption or scattering cross-sections may also contribute to an overall background signal that is difficult to separate.

Physiological and spectral variables can introduce unwanted noise, or worse, completely overwhelm the measured signals of interest (e. g., those related to glucose concentration). It is difficult to eliminate these interferences because they may exhibit one or more of the following properties:

- (a) they may contribute nonlinearly to the measured signal,
- (b) they may vary with spatial location within the sample,
- (c) they may vary over time, or
- (d) they may vary from sample to sample.

Co-pending U. S. Application Serial No. 08/982,939, filed December 2, 1997, assigned to the assignee of this application, describes a multiplex sensor that combines at least two NI techniques selected from those described above in order to compensate for the effects of spectral and physiological variables. A description of prior art measurements in which tissue temperature is controlled is provided below.

U. S. Patent Nos. 3,628,525; 4,259,963; 4,432,365; 4,890,619; 4,926,867; 5,131,391, and European Patent Application EP 0472216 describe oximetry probes with heating elements that are placed against a body part. These devices enhance sensitivity of the oximeter by elevating local tissue perfusion rates, thereby increasing hemoglobin concentrations. U. S. Patent No. 5,148,082 describes a method for increasing the blood flow in a patient's tissue during a photoplethsmography measurement, by warming the tissue with heat

generated by a semiconductor device mounted in a sensor. The heating element comprises a less efficient photodiode that acts as a heat source and as a light source.

U. S. Patent No. 5,551,422 describes a glucose sensor that is "brought to
5 a specified temperature preferably somewhat above normal body temperature (above 37° C) with a thermostatically controlled heating system". Unlike the oximetry sensors, simply increasing tissue perfusion without controlling it is contraindicated for glucose measurements, because hemoglobin interferes with glucose measurement. This patent also fails to account for large variations in
10 scattering intensity that result from the temperature gradient between the skin surface and the interior of the body part. As will be described more thoroughly below, the smallest devices disclosed in that patent have an average sampling depth of 1.7 mm. Depths and lateral distances of several millimeters are sampled at the longest spacings between source and detector taught in that
15 patent. As shown in FIG. 1 and as defined herein, the average sampling depth, d_{av} , is the average penetration depth along an axis normal to the tissue surface that is sampled in a given NI measurement. A thermal model of the human forearm, shown in FIGS. 6-8, suggests that, depending on the ambient temperature, the temperature of the tissue at a depth of 1.7 mm could be as
20 much as 0.5° C warmer than that of the skin surface. According to Wilson et al., (J. Qu, B. Wilson, Journal of Biomedical Optics, 2(3), July 1997, pp. 319-325), the change in scattering expected for a 0.5° C change in temperature is equivalent to a 5 mM (90 mg/dL) change in glucose concentration. Thus, the scattering variability due to the temperature gradient probed by U. S. Patent No.
25 5,551,422 is as large as the signal expected for normal physiological glucose levels.

Although a variety of spectroscopic techniques are disclosed in the prior art, there is still no commercially available device that provides noninvasive glucose measurements with an accuracy that is comparable to invasive

methods. All of the prior art methods respond to glucose concentrations, but they are also sensitive to physiological and spectral variables. As a result, current approaches to non-invasive glucose testing have not achieved acceptable precision and accuracy.

5 Thus, there is a continuing need for improved NI instruments and methods that are unaffected by variations in tissue such as temperature and perfusion. There is also a need for improved NI instruments and methods that will provide essentially the same accuracy as conventional, invasive blood glucose tests. There is also a need for low-cost, reagent-free, painless, and environmentally
10 friendly instruments and methods for measuring blood glucose levels in diabetic or hypoglycemic patients.

SUMMARY OF THE INVENTION

15 In one aspect, the present invention involves devices and methods for non-invasively measuring at least one parameter of a sample, such as the presence or concentration of an analyte, in a body part wherein the temperature is controlled. As will be described more fully below, the present invention
20 measures light that is reflected, scattered, absorbed, or emitted by the sample from an average sampling depth, d_{av} , that is confined within a temperature controlled region in the tissue. This average sampling depth is preferably less than 2 mm, and more preferably less than 1 mm. Confining the sampling depth into the tissue is achieved by appropriate selection of the separation between the
25 source and the detector and the illumination wavelengths.

 Confining the sampling depth provides several advantages. First, the entire signal is acquired from a region of tissue having a substantially uniform temperature. As defined herein, a "substantially uniform tissue temperature" means that the temperature of the tissue varies by no more than $\pm 0.2^\circ \text{C}$,
30 preferably no more than $\pm 0.1^\circ \text{C}$. Secondly, the sampled tissue region is more

homogeneous than the tissue regions sampled by the devices of the prior art. As a result, physiological and spectral interferences are controlled so that their contributions may be separated, quantified, and removed from the signals of interest.

5 In the present invention, the area of the skin of the body part where temperature is controlled is larger than the optical sampling area. A preferred ratio of the area of controlled temperature (surface area of the temperature controlled body interface) to the optical sampling area (surface area of the optical probe) is greater than 2:1, preferably greater than 5:1.

10 In another aspect, the present invention involves a method and apparatus for non-invasively measuring at least one parameter of a body part with temperature stepping. As defined herein, "temperature stepping" comprises changing the temperature of a tissue sample between at least two different predefined temperatures. Non-invasive measurements are performed at each of
15 the two or more different temperatures in order to remove the effects of temperature fluctuations on the measurement.

 In another aspect, the present invention involves a method and apparatus for non-invasively measuring at least one parameter of a body part with temperature modulation. As used herein, temperature modulation consists of
20 cycling the temperature (changing the temperature repeatedly) between at least two different predefined temperatures. Non-invasive measurements are performed at each of the two or more different temperatures in order to eliminate the effects of temperature fluctuations on the measurement.

 In another aspect, the present invention provides an improved method of
25 measuring at least one parameter of a tissue sample comprising the steps of:

(a) lowering the temperature of said tissue sample to a temperature that is lower than the normal physiological temperature of the body; and

(b) determining at least one optical property of said tissue sample.

30

In another aspect, the present invention provides a method of measuring at least one parameter of a tissue sample comprising the steps of:

- 5 (a) stepping the temperature of said tissue sample between at least two different temperatures;
- (b) measuring said at least one optical property of the tissue sample as a function of temperature;
- (c) computing the change in the at least one optical property as a function of change in temperature; and
- 10 (d) correlating the at least one parameter of the tissue sample with the functional dependence of the at least one optical property on temperature.

The present invention is particularly advantageous for biological samples where multiple interfering analytes or physiological variables can affect the measurement. Non-invasive measurements may be made on a body part of a patient, e. g., a finger, earlobe, lip, toe, skin fold, or bridge of the nose.

The invention offers several advantages over the prior art. At small separations of source from detector, light samples penetrate the tissue to a lower depth, where smaller temperature gradients are encountered, than to deeper regions of the tissue. In addition, better temperature control can be achieved at lower depths of penetration in the sampled region. If the separation of source from detector varies over large distances (e. g., 0.5 cm - 7 cm), light from the source and detected light propagates through the epidermis, the dermis, as well as deeper regions of tissue, including the subcutis (which has higher fatty adipose tissue content) and underlying muscle structures. These layers provide sources of variability in measurements because of the difference in cell size, cell packing, blood content, as well as thermal properties.

In addition, for tissue that is heterogeneous along dimensions parallel to the skin surface (x and y), there is lower likelihood of photons encountering tissue components that will cause anomalies in the scattering measurements. It

is also possible to perform measurements on a small localized area of the skin with a probe design having a closely spaced source and detector than with a source that is located a great distance from the detector. Thus, it is possible to detect blood vessels and hair fibers and determine their effect on the signal.

5 Probes having large separations of source from detector require the use of a large body mass, such as the muscle of the arm, thigh, or the abdomen. Accordingly, the body site locations where such a probe can be used on are limited, and substantial disrobing and inconvenience for the user is required. Thus, another advantage of the probe design of the present invention is that
10 probes of 5 mm or less can be used, particularly with small body parts, such as ear lobes and fingers. However, probes of 5 mm or less can also be used with larger body parts, such as the forearm, thigh, or abdomen.

Another advantage of a small separation between source and detector is the higher signal to noise ratio obtainable at small separations due to increases
15 in the amount of light reaching the detector. Thus simpler, inexpensive, rugged components, such as light emitting diodes, small flash lamps, and incandescent lamps, can be used as light sources, and commercially available inexpensive photodiodes can be used as detectors. Probes having a large separation between source and detector use laser diodes and photomultiplier tubes,
20 because weaker signals are generated.

In addition to convenience and cost advantages, other engineering design considerations favor the probe design of the present invention. It is preferred to generate a constant temperature using standard Peltier cooler elements that are approximately 1 cm squares. In order to obtain an aspect ratio of 5/1, probes of
25 2 mm or less are desirable, especially for use with small body parts, such as ear lobes and fingers. Larger thermoelectric cooling and heating elements may be employed at a cost of higher power consumption and greater heat dissipation.

Prior art measurements that use separations of detector and source in excess of 3 mm result in the phase and polarization of the incident light that are
30 randomized. However, in the present invention, the preferred separations are

less than 2 mm, and polarization and interference effects can be measured. The use of polarizers and polarization conserving fibers can reveal some internal sample properties. In addition, temperature effects on transmission of polarized light through tissue can be studied with the apparatus of the present invention.

5

BRIEF DESCRIPTION OF THE DRAWINGS

FIG. 1 is a schematic diagram of the average sampling depth, d_{av} , for a given spatially-resolved light scattering measurement.

FIG. 2 is a schematic diagram of the temperature-controlled backscattering system of the present invention.

FIG. 3A is a diagram illustrating the bifurcated optical fiber probe of FIG. 2. FIG. 3B is a series of diagrams showing portions of the bifurcated optical probe of FIG. 3A.

FIG. 4 is a diagram illustrating the nominal separation distances, r , between collection fibers 2-7 and the excitation fiber 1.

FIG. 5 is a schematic diagram of the human interface module of the temperature-controllable backscattering system of the present invention.

FIG. 6 is a schematic diagram of a thermal model of a human forearm.

FIGS. 7a, 7b, and 7c are schematic diagrams illustrating the temperature gradients as a function of penetration depth and lateral distance results of the thermal model of a human forearm,

FIG. 8 is a graph illustrating the temperature gradients over time predicted by a thermal model of the tissues adjacent to temperature-controllable backscattering system of the present invention.

FIG. 9 is a graph illustrating a Monte Carlo simulation and the measured reflectance for human volunteers.

FIG. 10 is a graph illustrating spectral distribution of spatially resolved scattering data from a diabetic subject and a non-diabetic subject.

FIG. 11 is a graph illustrating spatially resolved scattering data, spectral distribution of the partial change in the scattering coefficient with respect to temperature, from a diabetic subject and a non-diabetic subject.

FIG. 12 is a graph illustrating spatially resolved scattering data, spectral distribution of the change in absorption coefficient with respect to temperature, from a diabetic subject and a non-diabetic subject.

DETAILED DESCRIPTION

10

As used herein, the expression "tissue optics" refers to the study of light propagation in biological tissues. The expression "optical properties" refers to the absorption, scattering, and depolarization properties of the tissues. The expression "scattering media" refers to media that both scatter light and absorb light. The expression "absorption coefficient, μ_a " refers to the probability of light absorption per unit path length. The expression "scattering coefficient, μ_s " refers to the probability of light scattering per unit path length. The expression "isotropy factor, g " refers to the average cosine of the scattering angle for a multiply scattering photon. The expression "reduced scattering coefficient μ_s' " refers to the probability of equivalently isotropic scattering per unit path length. The reduced scattering coefficient is related to the scattering coefficient μ_s and the anisotropy factor g by the relationship $\mu_s' = (1-g) \mu_s$. The expression "transport optical mean free path" refers to the mean path length between photon-medium interaction, which can be either absorption or scattering; mean free path = $(1/(\mu_a + \mu_s'))$. The expression "effective scattering coefficient" refers to the transport attenuation coefficient, $\mu_{eff} = \sqrt{3 \mu_a (\mu_a + \mu_s')}$. The expression "penetration depth, δ " refers to the speed of light intensity decay in turbid media. Penetration depth is determined by both the absorption and scattering coefficient, $\delta = 1/\mu_{eff}$. The expression "Monte Carlo simulations" refers to a statistical method that can be

used to trace photon propagation in turbid media. The expression "diffuse reflectance" refers to a process by which light reflected from a boundary of a sample is measured at all angles and over an area wider than the beam diameter. The expressions "spatially resolved scattering" or "spatially resolved reflectance" refers to a process by which light injected at certain point on a boundary of the sample is detected at several light measurement points and at a predetermined spacing from the light injection point. Alternatively, it can be defined as the light detected at a given point on the sample boundary as a result of injecting light at discrete points located on the same boundary at predetermined separation distances. The expression "frequency domain measurement" refers to a measurement of light involving the phase angle and/or the amplitude change of a modulated light beam, at a given separation of source and detector, as the beam transverses a scattering medium.

In "warm-blooded" animals, such as birds and mammals, a group of reflex responses operate to maintain body temperature within a narrow range in spite of wide fluctuations in environmental temperature. In humans, the normal value for the oral temperature is 37° C, however, this temperature varies by about $\pm 1^\circ$ C from individual to individual due to differences in metabolic rate, age, and hormonal influences. The normal human core temperature undergoes a regular circadian fluctuation of 0.5-0.7° C. In individuals who sleep at night and are awake during the day, the temperature is lowest during sleep, slightly higher in the awake but relaxed state, and rises with activity. In women, there is an additional monthly cycle of temperature variation characterized by a rise in basal temperature at the time of ovulation. Temperature regulation is less precise in young children, and they may normally have a core temperature that is 0.5° C or so above the established norm for adults.

Various parts of the body are at different temperatures, and the magnitude of the temperature difference between the parts varies with the environmental temperature. The rectal temperature is representative of the temperature at the core of the body and varies least with changes in

environmental temperature. The extremities are generally cooler than the rest of the body and, within a particular body part, the tissue temperature is lowest at the skin surface.

Variations in tissue temperature affect other physiological variables, such as the perfusion rate. A rise in tissue temperature triggers a homeostatic reflex, which enhances local blood flow in order to increase transfer of heat away from the skin. Cooling the tissue to approximately 25° C decreases the perfusion rate; however, at much lower temperatures the skin again takes on a ruddy color. Other factors, such as activity, infections, some malignancies or mental stress, can also modulate the perfusion rate. A familiar example is the change in skin coloration, which can accompany exercise, alcohol intake, or even a change in position from sitting to standing.

In order to fully appreciate the effects of temperature variations on NI measurements, it is helpful to review the theoretical description of light propagation in tissues. A discussion of optical properties of tissue and the effect of these properties on light scattering and absorption is provided below. The dependence of NI measurements on temperature of the tissue is also illustrated, and preferred embodiments for controlling the temperature of NI measurements are described.

For clear or highly absorbing samples, Beer's law describes the light fluence within a sample as follows:

$$I = I_0 \exp(-\mu_t z) \quad (1)$$

where I represents the light fluence at a distance, z , into the sample, I_0 represents the incident intensity and μ_t represents a total attenuation coefficient. μ_t is the sum of the absorption coefficient, μ_a , and the scattering coefficient, μ_s . The mean free path of a photon describes the average distance traveled by a photon between absorptive or scattering events and is defined as $1/\mu_t$.

At visible and NIR wavelengths, scattering dominates absorption in biological tissues (i.e., $\mu_s \gg \mu_a$), and photon propagation deviates significantly from Beer's law. Tissue scattering occurs because of a mismatch between the index of refraction of the extracellular fluid (ECF) or intracellular fluid (ICF) and the cellular membranes of the tissue. As used herein, the expression "cellular membranes" encompasses both the cell membrane as well as the membranes of organelles, such as mitochondria or collagen fibrils. Besides undergoing scattering and absorption, photons can be reflected at the tissue/air interface; photons can also be re-emitted out of the tissue.

An exact assessment of light propagation in tissues would require a model that characterizes the spatial and size distributions of tissue structures, their absorbing properties, and their refractive indices. For real tissues, such as skin, the task of creating a precise representation of photon migration from the solution of Maxwell's electromagnetic (EM) wave equations is formidable.

Consequently, it is necessary to rely upon mathematical approximations in order to simplify the calculation of optical properties of tissue.

One useful approach for describing the transfer of light energy through a turbid medium uses radiative transport (RT) theory. In the RT formalism, light propagation is considered equivalent to the flow of discrete photons, which may be locally absorbed by the medium or scattered by the medium. For dense media where the detector distance is large relative to the photon mean free path, RT theory can be simplified to yield the Diffusion Theory (DT) approximation. DT describes photon propagation in tissues by the absorption coefficient, μ_a , and the reduced scattering coefficient $\mu_s' = \mu_s[1-g]$, where the anisotropy factor, g , represents the average cosine of the angle at which a photon is scattered. Typical values of g for tissues are $0.9 < g < 1.0$ (forward scattering). The attenuation of photons in tissues is described by an effective attenuation coefficient, μ_{eff} , as follows:

$$\mu_{\text{eff}} = \sqrt{3 \mu_a (\mu_a + \mu_s')} = \sqrt{3 \mu_a [\mu_a + \mu_s(1-g)]} \quad (2)$$

The value of μ_{eff} can be calculated from scattering measurements (such as SMLS) and both μ_a and μ_s' can be derived from measurements of μ_{eff} under
 5 different conditions. In turn, changes in the values of μ_a and μ_s' can be related to tissue parameters, such as the concentration of an analyte.

For tissue samples irradiated at visible and NIR wavelengths, the size of the scattering material is near the wavelength of light, and the reduced scattering coefficient, μ_s' , can be expressed using Mie theory as follows:

10

$$\mu_s' = \mu_s(1-g) = 3.28\pi a^2 \rho (2\pi a n_{\text{ex}}/\lambda)^{0.37} (m-1)^{2.09} \quad (3)$$

where ρ represents the volume density, number of particles per unit volume, a represents the radius of the scattering particle (e. g., cells, mitochondria, or
 15 collagen fibrils), n_{ex} represents the refractive index of the medium (ECF or ICF), and $m = (n_{\text{in}}/n_{\text{ex}})$, which is the ratio of the refractive index of the scattering particle n_{in} to n_{ex} . See Graaf, et al., "Reduced light-scattering properties for mixtures of spherical particles: a simple approximation derived from Mie calculations", APPLIED OPTICS, Vol. 31, No. 10, 1 April 1992. Light fluence
 20 within the sample is described by the following formula:

$$I = I_0 \exp(-\mu_{\text{eff}}z) \quad (4)$$

where I , I_0 , and z are defined as above and μ_{eff} is defined as above and differs
 25 from the total μ_t defined in Equation (1).

For a given incident wavelength, μ_s' changes with either the cell size, a , or the refractive index ratio m , as shown in equation 3. Because the refractive index of the cellular membranes, n_{in} , remains relatively constant, μ_s' is influenced

mostly by n_{ex} and a . For example, glucose reduces tissue scattering by decreasing the refractive index difference between the ICF/ECF and the cellular membranes. Variations in n_{ex} are not specific for a particular analyte, however, and are affected by any change in the total concentration of solutes in the ECF, including hemoglobin. n_{ex} is also susceptible to changes in physiological variables, such as temperature of the tissue.

Methods of determining μ_{eff} , μ_s , and μ_a are known in the art. One of these methods is the measurement of diffuse reflectance of the skin tissue. In a diffuse reflectance measurement, the measured reflectance has the following functional dependence:

$$R_d = f(\mu_s, \mu_a, n_s/n_0)$$

where μ_s represents the reduced scattering coefficient, μ_a represents the absorption coefficient, n_s represents the refractive index of the scattering medium and n_0 represents the refractive index of the surrounding layer, usually air.

Another method of measuring the absorption and scattering coefficients is known as spatially resolved diffuse reflectance, $R(r)$. In this method, the intensity of the reflected light is measured at several distances from the point at which light is injected. The intensity of the reflected light at a given distance $R(r)$ is related to the separation of the source and detector by the relationship:

$$R(r) = K_0 [\exp(-\mu_{eff}r)]/r$$

A plot of $\log r$ times $R(r)$ vs. r yields a line with a slope of μ_{eff} . Other methods for determination of determination optical properties of tissues are described in the art. These methods include collimated transmittance and frequency domain measurements.

The present invention involves methods and devices for eliminating the effects of physiological and spectral variables on measurements of μ_a and μ_s' . Specific descriptions of the mechanisms by which temperature affects these parameters are provided below.

5 Temperature fluctuations affect the sensitivity and selectivity of NI measurements by influencing physiological and spectral variables. For example, temperature affects perfusion rates, which alter the concentrations of blood-borne spectral variables, such as hemoglobin, water, and electrolytes. These spectral variables can introduce measurement inaccuracies. However, it has
10 been found that the magnitude of these inaccuracies can be reduced by compensating factors. IR backscattering measurements may be used to measure hemoglobin, total protein, HDL, and triglycerides in tissues. Temperature-controlled IR measurements thus yield a more accurate measure of
15 glucose concentration by increasing the measurement accuracy of important spectral variables.

 Temperature also affects the refractive index of the ECF. Because approximately 90% of human tissue is water, the refractive index of ECF may be approximated by the refractive index of water which varies with temperature as:

$$20 \quad n = 1.3341 + 2.5185 \cdot 10^{-5} T - 3.6127 \cdot 10^{-6} T^2 + 2.3707 \cdot 10^{-8} T^3$$

 where n represents the refractive index and T represents the temperature. Changes in osmolarity of the ECF can also change the size of the cells due to osmotic swelling and shrinkage.

25 Because water is the main constituent of biomedical samples, its optical properties (in particular its absorption coefficient) are important parameters for NI measurements. Temperature variations contribute to the background noise in NI measurements by altering the intensities as well as the frequencies of the
30 dominant water absorption bands. Changes in the absorption and scattering

properties of the sample produce a variable optical path length, which affects all NI measurements.

Depolarization is a process in which completely polarized light is coupled
5 to unpolarized light and is defined as

$$D = \frac{\text{Polarized Light}}{\text{Total Incident Light}}$$

10 In turbid media, an incident polarized light beam undergoes multiple scattering events. The polarization of the incident beam is degraded with each scattering event, and the depolarization is affected by the number of scattering events in the medium. Because temperature influences the overall refractive index, the number of scattering interactions changes with varying tissue temperature. As
15 the number of scattering interactions increases, the polarized light becomes progressively depolarized.

The following non-limiting examples further illustrate the present invention.

20

EXAMPLES

EXAMPLE 1

FIG. 2 is a schematic diagram of one embodiment of the temperature-
25 controlled backscatter system 10 (TCBS) of the present invention. The TCBS comprises three modules: a human interface module 12; a light source module 14; and a detector module 16. As shown in FIG. 2, the human interface module 12 is connected to the light source module 14 and the detector module 16 via a bifurcated optical fiber probe 18.

30 FIG. 3A is a detailed illustration of the bifurcated optical fiber probe 18. The bifurcated optical fiber probe is constructed from Anhydrous G Low OH VIS-

NIR optical fibers. The bifurcated optical probe 18 comprises a source tip 19, a detector tip 20, and a common tip 21. The three distinct termination points or "tips" of the bifurcated optical probe are shown in FIG. 3B. During operation, the source tip 19 is contained within the light source module 14, the detector tip 20 is contained within the detector module 16, and the common tip 21 is contained within the human interface module 12. A single optical fiber 22 transmits light from the source tip 19 to the common tip 21. Six optical fibers 23, 24, 25, 26, 27, and 28 transmit light from the common tip 21 to the detector tip 20.

Light source module 14 includes a source of modulated light (not shown), such as a Gilway L1041 lamp modulated with a Stanford Research Optical Chopper. A prism, a dichroic beam splitter, or the like may be used to direct a portion of the beam emanating from the light source to a reference detector, such as a Hamamatsu S-2386-44K 6C Silicon Detector, in order to normalize the measurements for fluctuations in source intensity. The rest of the light emanating from the light source is focused onto the end of the source tip by means of at least one focusing lens. Additional optical elements, such as attenuators, optical filters, and irises may be inserted between the light source and the source tip. The source tip is preferably held in an adapter having provisions for adjusting the location of the source tip with respect to the beam emanating from the light source.

The common tip 21 is installed in the human interface module, which is placed against a body part during use. As shown in FIG. 3B, the common tip comprises the source fiber 22 and six additional fibers 23, 24, 25, 26, 27, and 28 that collect the light that is scattered by the tissue sample.

The collection fibers 23, 24, 25, 26, 27, and 28 are located within the common tip 21 at increasing distances from the source fiber 22. The nominal separation distances, r , between the center of the source fiber 22 and the centers of the collection fibers 23, 24, 25, 26, 27, and 28 of the common tip 21 are shown in FIG. 4. An important aspect of the present invention is that all of the collection fibers are located at separation distances, r , that are less than 4

mm away, and, preferably, less than 2 mm away from the source fiber 22. As will be more thoroughly described below, locating the fibers in this manner results in enhanced precision and accuracy over the methods used in the prior art.

5 The collection fibers 23, 24, 25, 26, 27, and 28 are arranged in a circle within the detector tip 20, as shown in FIG. 3B, with sufficient spacing to allow a shutter to interrogate each fiber individually. The detector module receives the detector tip 20 and holds it adjacent to a rotating shutter (not shown) that allows
10 detection of the light emitted from one fiber at a time. The shutter has a detent or other means to lock it in the six fiber positions. The light from the fiber of interest is focused on a detector by a pair of 25 mm diameter, 60 mm focal length Achromatic lenses. The detector was a Hamamatsu S-2386-44K 6C Silicon Detector or any other equivalent detector. The detector module also
15 comprises appropriate electronic signal processing instrumentation such as large dynamic range amplifiers and lock-in amplifiers. Alternatively, the outputs of the six fibers can be directed to six detectors for parallel signal processing.

 FIG. 5 illustrates the human interface module 12, which comprises an aluminum disk 30, a thermoelectric cooling element 31, a thermocouple 32, a
20 heat sink 34, the common tip 21, and an interface adapter 36. The aluminum disk contains a through-hole that receives the common tip 21 of the fiber optic probe and holds the common tip 21 against the body part. The temperature of the aluminum disk 30 (and of the tissue adjacent the disk 30) is controlled by a
25 thermoelectric cooling element 31, such as a Marlow Industries model number SP1507-01AC. The thermoelectric cooling element 31 is powered by a temperature controller/power supply, such as a Marlow Industries model number SE5000-02. A heat sink 34 is provided on the back of the thermoelectric cooling
 element 31 to enhance heat transfer. The interface adapter 36 is shaped to conform to a body part and may, for example, be cylindrical, flat, spheroidal or
30 any other shape that provides efficient optical and thermal coupling to a body part.

EXAMPLE 2

FIG. 6 illustrates assumptions made for a mathematical model of the human interface module and the underlying tissue sample. The tissue sample is modeled as a multi-layer sample wherein each of the layers has different thermal transfer properties. In the absence of the interface module, the tissue temperature changes along a gradient from an interior body physiological temperature of approximately 37° C (muscle) to a typical skin surface temperature of 32.4° C (epidermis).

FIGS. 7a through 7c show model values of steady-state temperatures within an axisymmetric cross-section of the model. Each figure represents a different temperature condition imposed by the interface module (i. e., the disk). The figures also place a dimensional scale along the edges of the model to indicate values of tissue depth (up to 10 mm from the tissue surface) and radial distance (up to 30 mm from the central axis of the disk).

FIG. 7a presents the situation when a disk made of an insulating material such as Plexiglas is brought in contact to the tissue surface. The disk is not capable of controlling temperature. The disk insulates the underlying tissue from its ambient surroundings and causes a minor increase in epidermal temperature from 32.4° C to about 32.7° C. At a depth of 2 mm below the tissue surface, the temperature is about 33.0° C on the center axis. The resulting tissue temperature gradient 0.6° C is somewhat smaller than the natural state wherein no insulating disk is applied. As shown by Quan and Wilson, a 0.5° C temperature difference affects the scattering signal by an amount equivalent to 90 mg/dL change in glucose concentration. This represents a model for an insulating detection probe having no temperature control. The insulating probe head model offers a minor advantage for the non-invasive measurement of an analyte.

In FIG. 7b a heat conducting disk 30 maintained at a constant temperature of 34.4° C is applied to the surface of the tissue. The disk maintains the temperature of the epidermis at 34.4° C, which temperature is lower than the body physiological temperature. At a depth of 2 mm below the surface of the tissue, the temperature is 34.3° C. The disk produces a tissue temperature gradient of 0.1° C, which is substantially smaller than the natural state. At a depth of 2 mm, temperature is maintained within a 0.1° C at lateral distances up to 5 mm from the axis. At a depth of 1 mm, temperature is maintained within 0.1° C at lateral distances up to 8 mm from the axis. The time required for the tissue to reach this condition (after the skin is brought in contact with the disk) is shown in FIG. 8. In FIG. 8, the model temperatures along the central axis just prior to the moment the skin touches the heat conducting disk is shown and is labeled as Time = 0. In the time period ranging from 30 seconds to 600 seconds after contact between skin and the heat conducting disk, the tissue (dermis) temperature rises and the temperature gradient decreases until an essentially constant value is achieved. The calculated temperature gradient reaches 0.2° C at a depth of 2 mm, after a 60 second equilibration period. At 600 seconds, the temperature gradient flattens out and approaches the steady-state value labeled as Time = infinity.

In FIG. 7c a heat conducting disk having a constant temperature of 30.4° C is brought in contact with the tissue surface. Interaction with the disk reduces the epidermal temperature to 30.4° C. Temperature is calculated to be 30.8° C at a depth of approximately 1 mm and 31.5° C at a depth of 2 mm below the surface of the tissue. The temperature gradient is 0.4 C at a depth of 1 mm and 1.1° C at a depth of 2 mm. This gradient is greater than the gradients shown in FIGS. 7a and 7b. However, temperature was calculated to be constant in the horizontal plane up to distance of 5 mm.

The probe design described herein is particularly well adapted for temperature-controlled SRLS measurements. When the probe temperature is held at 34.4° C (i. e., 2° C above the natural temperature of the surface of the

skin), the underlying tissue temperature does not vary by more than 0.2° C up to a depth of 2 mm below the surface of the tissue (except at the extreme edges of the disk, where no SRLS measurements are taken). Furthermore, the tissue temperature does not vary by more than 0.1° C within a depth of 2 mm and a radial distance of less than 4 mm from the central axis of the disk. Closer control of temperature and less of a temperature gradient is maintained at 0.1 mm below the surface of the skin. Greater penetration depths would encounter a volume of tissue having a greater range of temperatures, thereby decreasing the reproducibility of the SRLS measurement.

Photon path in a turbid medium can be expressed by the radiation transport equation. This analytical equation is difficult to solve. An approximation for solving the equation is the diffusion theory approximation. The diffusion theory approximation is limited to cases where the light has been highly scattered (i. e., the approximation is limited to situations in which a photon is scattered many times before it is absorbed or detected). The condition of multiple scattering depends upon the average distance between scattering centers (density of scattering material) and on the ratio of scattering to total attenuation known as optical albedo ($\mu_s/\mu_s + \mu_a$). The source-tissue-detector geometry and the boundary conditions of the medium are important for the application of the diffusion theory approximation. For SRLS measurements, the conditions require that the separation between the source and the detector be much greater than the transport optical mean free path, the mean distance between two successive absorption or scattering interactions in the medium [$1/(\mu_a + \mu_s)$]. For tissues with small absorption coefficients (1 cm^{-1}) and a scattering coefficient of 10 cm^{-1} , the mean free path in the near IR is 1 mm. Diffusion theory approximation applies at source-to-detector distances much larger than 1 mm, typically 1 cm and up to 7 cm. Measurement at a great distance from the source is referred to as the far field condition. Mean free paths between interaction sites between photons and tissue typically range from 0.01 mm to 2 mm, with 0.75 mm being a typical value in the visible spectrum. In the

present invention, the detector distances can be as short as 0.4 mm to 5 mm. Thus, they are either shorter than or of a comparable value to the mean free path, and the diffusion theory approximation does not hold. Measurements at small separations of source and detector present a near field condition.

5 A more exact solution of the light transport equation in turbid media can be obtained by following the path of each individual photon and calculating the probability of scattering and/or absorption in a series of steps using Monte Carlo simulation. Physical quantities of interest are scored within statistical
uncertainties of the finite number of photons simulated. The power of the Monte
10 Carlo method lies in its ability to handle virtually any source, detector, and tissue boundary condition, as well as any combination of optical properties of tissue. Monte Carlo methods can also accommodate polarized light and diffraction effects in the light propagation calculation, and these methods are preferred in the present invention over the diffusion theory approximation.

15 Monte Carlo simulations were used for the probe geometry of the present invention. The public domain software program employed was " Monte Carlo simulations of multi-layered turbid media", by Lihong Wang and Steven L. Jacques, obtained from Oregon Laser Center, Portland, Oregon.

In the Monte Carlo model, the beam diameter was 400 micrometers, the
20 number of photons injected was 200,000 per run, light was propagating from fiber ($n = 1.5$) into tissue ($n = 1.4$). The thickness of the tissue layer was set from 5 to 25 mm. Light reflected at the 0.44 mm, 0.78 mm, 0.89 mm, 1.17 mm, 1.35 mm, and 1.81 mm distances from the point the light was injected were calculated for a matrix of several μ_s and μ_a values. These distances corresponded
25 approximately to the positions of fibers 23, 24, 25, 26, 27, and 28. The resultant $\log_e R(i)$ vs $\log_e (R_i/R_j)$ were plotted as a grid. The constant μ_a and μ_s points were connected to form a grid in the $\log_e R(i)$ vs $\log_e (R_i/R_j)$ space, where $R(i)$ represents reflectance at a distance i and $R(j)$ represents reflectance at a distance j . Spatially resolved backscattering was determined for a set of
30 Intralipid solutions, hemoglobin solution in Intralipid suspension, opal glass, and

plastic rods polymerized to incorporate different levels of scatter and absorbing pigment. The experimental values were overlapped on the Monte Carlo-generated grid, and absorption and scattering coefficients of the reference material were determined by the use of tables generated from the grid. Spatially

5 resolved light scattering (SRLC) measurements were obtained on the dorsal part of the forearms of human volunteers and plotted on the same graph. An example of the result of Monte Carlo simulation and the measured reflectance for a human volunteer are shown in FIG. 9. The dashed lines connecting the circles represent experimental data. The solid lines represent Monte Carlo fits for the

10 absorption and scattering coefficients indicated. The graph indicates that the reflectance values predicted by the model are close to the experimental results. μ_s' and μ_a values for several Caucasian, Oriental and Mediterranean subjects were determined at 34° C. The average values of μ_s' and μ_a at several illumination wavelengths were used to calculate the mean free path (mfp') and

15 are shown in Table 1.

Table 1

Average optical constants and mean free path for human subjects

Optical constant	550 nm	590 nm	650 nm	750 nm	800 nm	900 nm
$(\mu_s' + \mu_a)$ (cm^{-1})	16	14	11	10	9	8
Mean free path (mm)	0.62	0.72	0.88	1.03	1.1	1.23
Penetration depth (mm)	0.72	0.92	1.42	1.67	1.92	2.04

5 Thus the measured mean free path is of the same magnitude as the separation of the source from the detector, thereby justifying the use of Monte Carlo modeling. The penetration depths achieved were less than or equal to 2 mm. The majority of the reflected light sampled at depths in the skin less than or equal to about 2 mm. Other longer wavelengths up to 2500 nm can be selected
10 to achieve shallow penetration depth.

The effect of changes of temperature on the scattering and absorption coefficients of a diabetic and a non-diabetic individual were tested by means of the SRLS apparatus described in Example 1, and absorption and scattering coefficients were determined from the Monte Carlo-generated grid. Temperature
15 of the tissue was varied from 20° C to 45° C. Concentrations of glucose and hemoglobin in blood were measured by means of a commercial instrument (Vision®, Abbott Laboratories) prior to the SRLS measurement. Glucose concentration in the nondiabetic subject was 88 mg/dL and glucose concentration in the diabetic subject was 274.6 mg/dL. SRLS measurements
20 were performed on the forearm of each subject.

The reduced scattering coefficient increased with increased temperature at all wavelengths for the two subjects. $d\mu_s'/dT$ ranged from 0.044 to 0.0946 for

the non-diabetic subject and from 0.0633 to 0.0881 $\text{cm}^{-1}/^\circ\text{C}$ for the diabetic subject. The change in the refractive index of water over the same temperature range was approximately -1×10^{-4} per $^\circ\text{C}$. The change in the reduced scattering coefficient for 1000 nm spherical particles over the same temperature range is calculated using the equation of Graaf et al (Equation (3)) to be 0.024 cm^{-1} per $^\circ\text{C}$. Thus the measured $d\mu_s/dT$ for the forearm of the test subjects is larger than the calculated values for 1000 nm particles, which mimic the biological tissue. Dependence of the scattering coefficient (in tissue) on temperature is greater than dependence of the scattering coefficient (in 1 mm particles) on temperature, which, in turn, is much greater than dependence of refractive index on temperature.

FIG. 10 shows the spectral distribution of the derivative of scattering coefficient with respect to temperature ($d\mu_s/dT$) for the two subjects. A difference in the spectral response between the two subjects can be observed. The fractional change in the derivative is shown in FIG. 11. A noticeable difference between the two subjects was observed, especially at the non-absorbing wavelengths (away from the visible hemoglobin absorption bands).

The derivative of the absorption coefficient with respect to temperature is shown in FIG. 12 for the two subjects. The spectral distribution of the derivative $d\mu_a/dT$ differs between the two temperature ranges of 20 to 35 $^\circ\text{C}$, and 35 to 40 $^\circ\text{C}$. At temperatures below 35 $^\circ\text{C}$ (the ambient skin temperature), slight change in the $d\mu_a/dT$ as a function of temperature can be observed. However, the values differed for the two subjects. At temperatures above 35 $^\circ\text{C}$, the absorption derivative at the hemoglobin visible absorbing wavelengths is much higher than that at the non-absorbing wavelengths, which suggests a change in blood perfusion. The shape of the curve is similar to that of hemoglobin absorption. Blood perfusion to the skin at higher temperature may account for this similarity. There is an observed difference between diabetic and non-diabetic subjects.

Various modifications and alterations of this invention will become apparent to those skilled in the art without departing from the scope and spirit of this invention. It should be understood that this invention is not to be unduly limited to the illustrative embodiments set forth herein.

5 For example, while in-vivo glucose measurement has been illustrated, other measurements, in-vivo or in-vitro, needing improved specificity could benefit from measurements with combined technologies (i., e., alcohol, blood urea nitrogen (BUN), bilirubin, hemoglobin, creatine, electrolytes, blood gases, and cholesterol). It should be recognized that the wavelengths used for
10 measurement may vary for the different analytes of interest.

A variety of detectors may be employed in the present invention without departing from the spirit of the invention. Preferably, the detectors should be optimized for the particular measurement to be made, with wavelength, cost, performance, and engineering design being considered. The detectors may be
15 either single element or array detectors. While single element detectors are generally less costly and more amenable to frequency modulation and detection schemes, an alternative embodiment could use detector arrays, such as a photodiode array or a charge-coupled device (CCD) array, for multi-wavelength detection.

20 Various filters and the like that transmit only the wavelength(s) of interest may be placed in front of the detectors. Such filters may include, for example, dielectric filters, holographic filters, and tunable filters, such as an Acousto-Optic Tunable Filter (AOTF). Alternatively, frequency modulation may be used to distinguish the one measured signal from another. The development of
25 detectors having sensitivities extending continuously from visible wavelengths into the infrared region will permit the use of a single detector, or detector array, over a large spectral range, without the need to switch detectors.

Although the optical detection method used in the examples is spatially-resolved diffuse reflectance, other methods that can lead to calculating the
30 absorption and scattering coefficients of a turbid medium can be used by those

skilled in the art. Thus any optical measurement that allows control of temperature over an area larger than the area of optical measurement can be used. An example of such a measurement is diffuse reflectance using randomized optical fiber bundles. Another example involves frequency modulation measurements using a high enough modulation frequency to allow measuring a phase angle change over a small separation of source and detector. Yet another modification would be the use of polarimetric measurements utilizing polarization-conserving fibers. Other methods of calculation can be used, such as neural networks and data mining methodologies.

For non-invasive measurements on a body part, the body interface module may be adapted to change the shape of the body part or to change the physical relationship between the transducers and the body part. For example, the body interface module might be adapted to increase the pressure applied to the body part by the transducer. Such a change might be made, for example, to alter local perfusion rates.

What is claimed is:

1. A method of determining at least one parameter of a body part at a
5 given temperature comprising the steps of:
 - (a) modulating said temperature of said body part;
 - (b) measuring at least one optical property of said body part, at at least
one wavelength, as a function of said temperature modulation, to obtain an
optical measurement, wherein the volume of the body part subject to
10 temperature modulation is greater than the volume of the body part that is being
measured in the optical measurement; and
 - (c) analyzing the optical measurement of (b) to obtain a determination of
said at least one parameter of said body part.
- 15 2. The method of claim 1, wherein said at least one parameter is the
presence of an analyte.
3. The method of claim 1, wherein said at least one parameter is the
concentration of an analyte.
20
4. The method of claim 1 wherein said at least one parameter is the
presence of a tissue heterogeneity.
5. The method of claim 1, wherein said at least one parameter is a
25 change in blood circulation.
6. The method of claim 1, wherein said at least one
optical property is a scattering coefficient.

7. The method of claim 1, wherein said at least one optical property is an absorption coefficient.

8. The method of claim 1, wherein said optical measurement is performed at two or more wavelengths.

9. The method of claim 1, wherein the volume of the body part subject to temperature modulation is at least two times the volume of the body part being optically sampled.

10. The method of claim 1, wherein the volume of the body part subject to temperature modulation is at least five times the volume of the body part being optically sampled.

11. The method of claim 1, wherein said method of correlation is selected from the group consisting of least squares, partial least squares, and neural networks.

12. The method of claim 1, wherein said wavelength ranges from 400 nm to 2500 nm.

13. A method of measuring at least one parameter of a body part at a given temperature, comprising the steps of:

(a) decreasing the temperature of said body part to a temperature which is at or below the normal physiological temperature of said body part;

(b) determining at least one optical property of said body part at said temperature of step (a);

(c) increasing the temperature of said body part to a temperature above the normal physiological temperature of said body part;

(d) determining at least one optical property of said body part at said temperature of step (c); and

(e) analyzing the optical properties determined in steps (b) and (d) to obtain a measurement of said at least one parameter of said body part.

5

14. The method of claim 13, further comprising the step of measuring scattering coefficient as a function of temperature.

15. The method of claim 13, further comprising the step of measuring absorption coefficient as a function of temperature.

10

16. The method of claim 13, further comprising the step of correlating the measured optical property with concentration of an analyte in the body, said concentration determined by a method independent of steps (a), (b), (c), and (d).

15

17. The method of claim 13, wherein said parameter is the presence of an analyte.

18. The method of claim 13, wherein said parameter is the concentration of an analyte.

20

19. The method of claim 13 wherein said parameter is the presence of a tissue heterogeneity.

20. The method of claim 13, wherein said parameter is the presence of a blood circulation change.

25

21. The method of claim 13, wherein said method of correlation is selected from the group consisting of least squares, partial least squares, and neural networks.

30

22. The method of claim 1, wherein said wavelength ranges from 400 nm to 2500 nm.

- 5 23. A method of measuring at least one parameter of a body part, comprising the steps of:
- (a) adjusting the temperature of said body part to a temperature that is substantially the same as the normal physiological temperature of said body part;
 - (b) determining at least one optical property of said body part at said
10 temperature of step (a);
 - (c) reducing the temperature of said body part to a temperature that is lower than the normal physiological temperature of said body part;
 - (d) determining at least one optical property of said body part at said temperature of step (c);
 - 15 (e) increasing the temperature of said body part to above the normal physiological temperature of said body part;
 - (f) determining at least one optical property of said body part at said temperature of step (e); and
 - (g) analyzing the measurements of steps (b), (d), and (f) to obtain a
20 measurement of said at least one parameter of said body part.

24. Method of claim 23, further comprising the step of correlating the measured optical property with concentration of an analyte in the body, said concentration determined by a method independent of steps (a), (b), (c), (d), (e),
25 (f), and (g).

25. The method of claim 23, wherein said parameter is the presence of an analyte.

26. The method of claim 23, wherein said parameter is the concentration of an analyte.

27. The method of claim 23, wherein said parameter is the presence of
5 a tissue heterogeneity.

28. The method of claim 23, wherein said parameter is the presence of a vascular change.

10 29. The method of claim 23, wherein said correlation method is selected from the group consisting of least squares, partial least squares, and neural networks.

30. The method of claim 23, wherein the volume of the body part
15 subject to temperature modulation is at least two times the volume of the body part being optically sampled.

31. The method of claim 23, wherein the volume of the body part
20 subject to temperature modulation is at least five times the volume of the body part being optically sampled.

32. The method of claim 1, wherein said wavelength ranges from 400 nm to 2500 nm.

25 33. An apparatus for measuring concentration of an analyte in a body part comprising:

(a) a temperature controlling element adapted to conform to the surface of said body part;

(b) at least one light transmitting element and at least one light receiving
30 element located within said temperature controlling element (a);

(c) at least one light source and at least one detector to illuminate a defined volume of the body part subject to temperature control; and

(d) a signal processor to determine an optical property of the body part, said temperature controlling element capable of controlling the temperature of a volumetric portion of the body part that is larger than the volumetric portion of the body part being illuminated by the at least one light source and at least one detector.

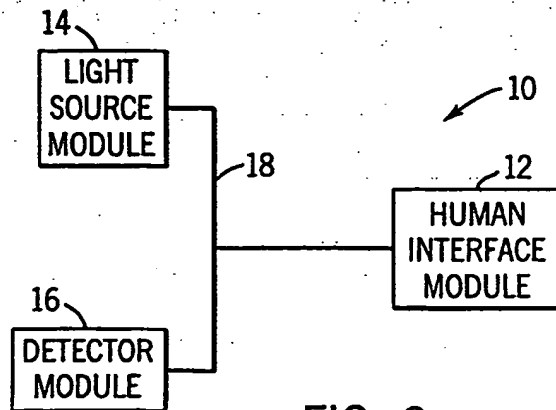
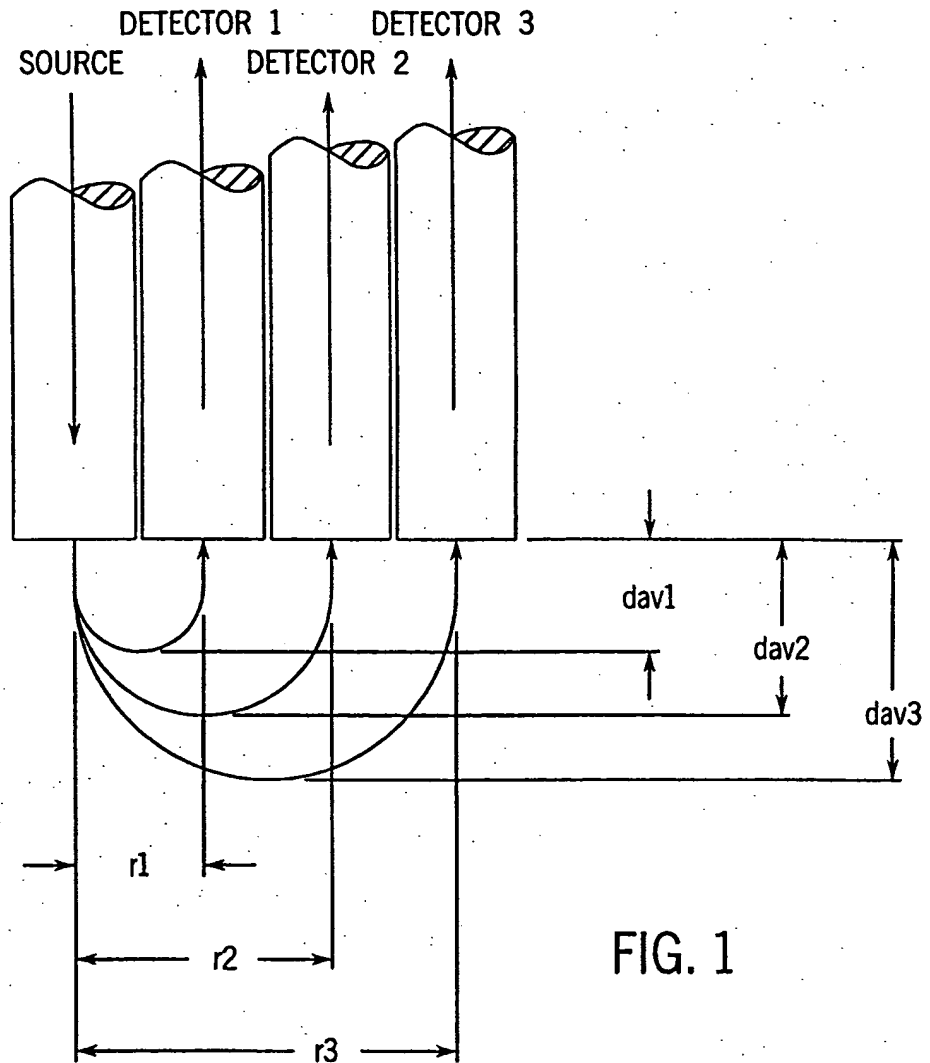
10 34. The apparatus of claim 33 where the distance of the source from the detector and the wavelengths of the source are selected to limit the depth of penetration in the tissue to a that wherein the temperature is being controlled.

15 35. The apparatus of claim 34, wherein said wavelength ranges from 400 nm to 2500 nm.

 36. The apparatus of claim 33 where the wavelength of the light sources ranges from 600 nm to 1300 nm.

20 37. The apparatus of claim 33 where the separation distance between center of light emitting and receiving elements is no more than 6 mm.

 38. The apparatus of claim 33, wherein the depth in said body part is confined to a depth no greater than 2 mm.



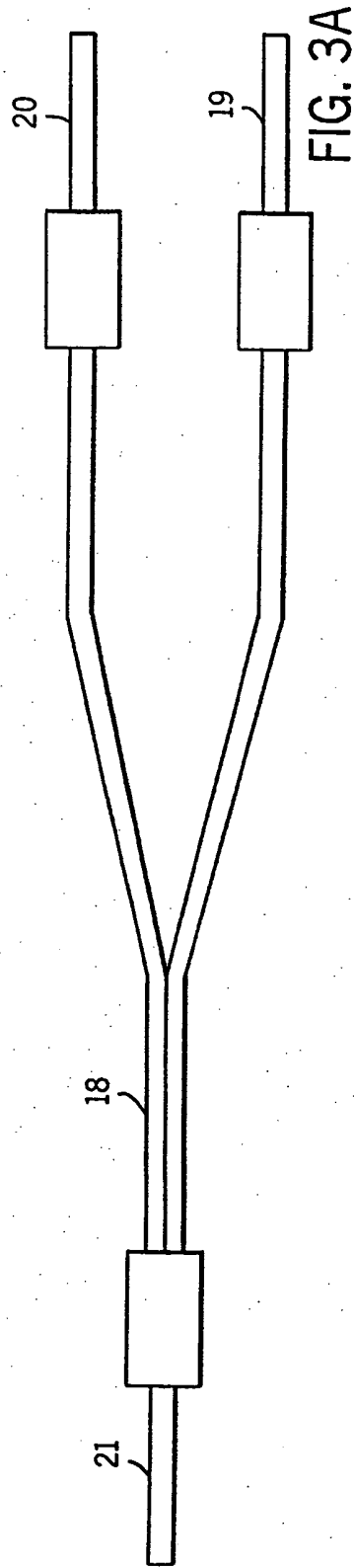


FIG. 3A

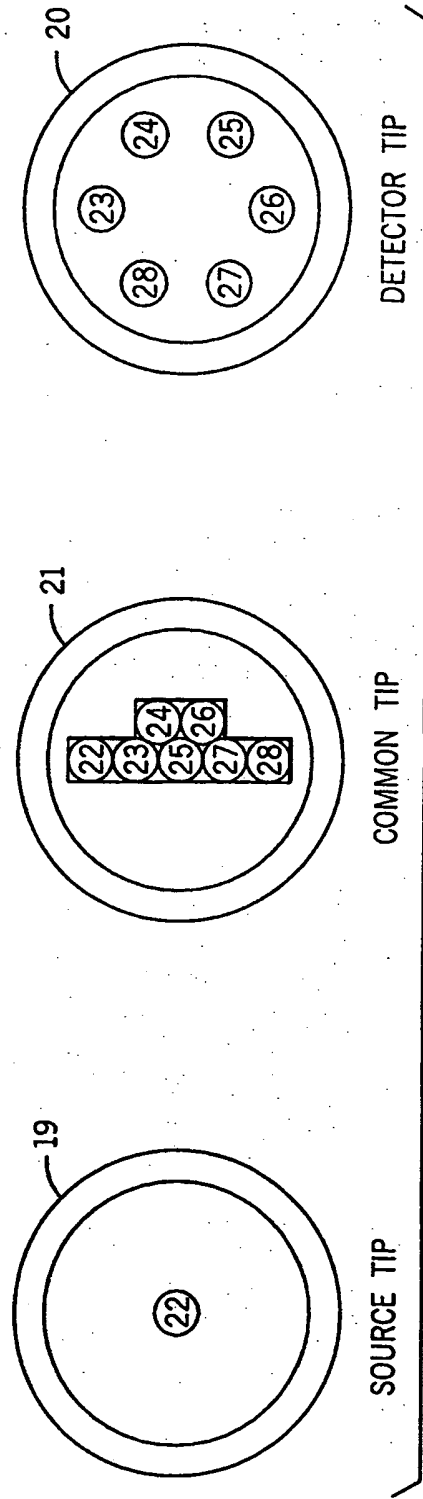


FIG. 3B

FIG. 4

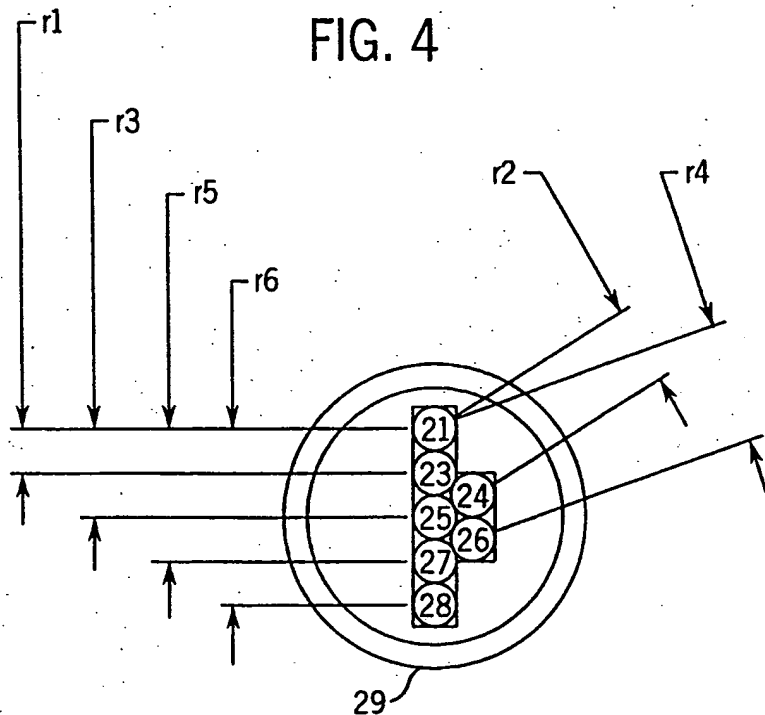
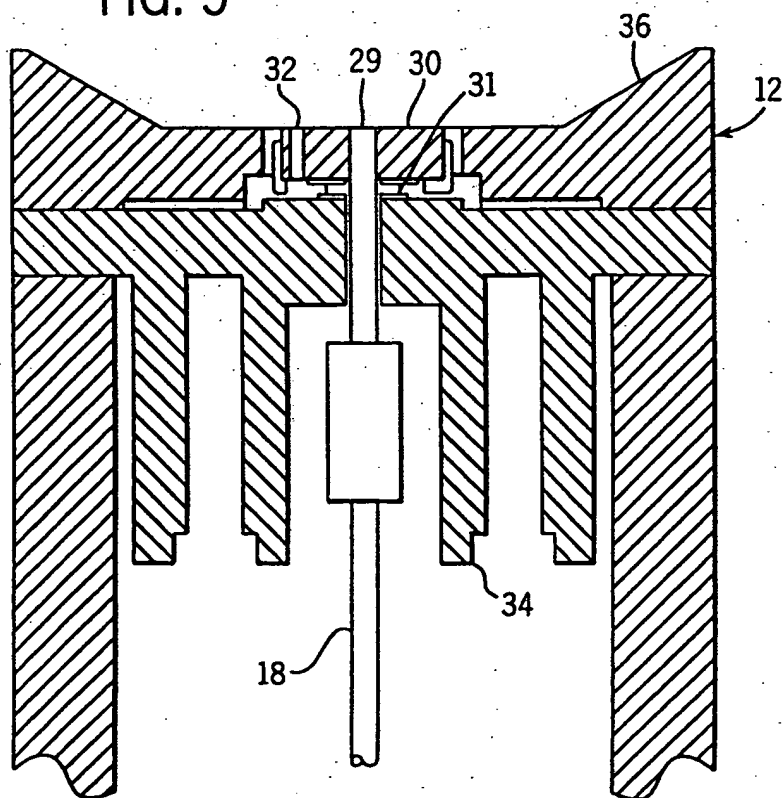


FIG. 5



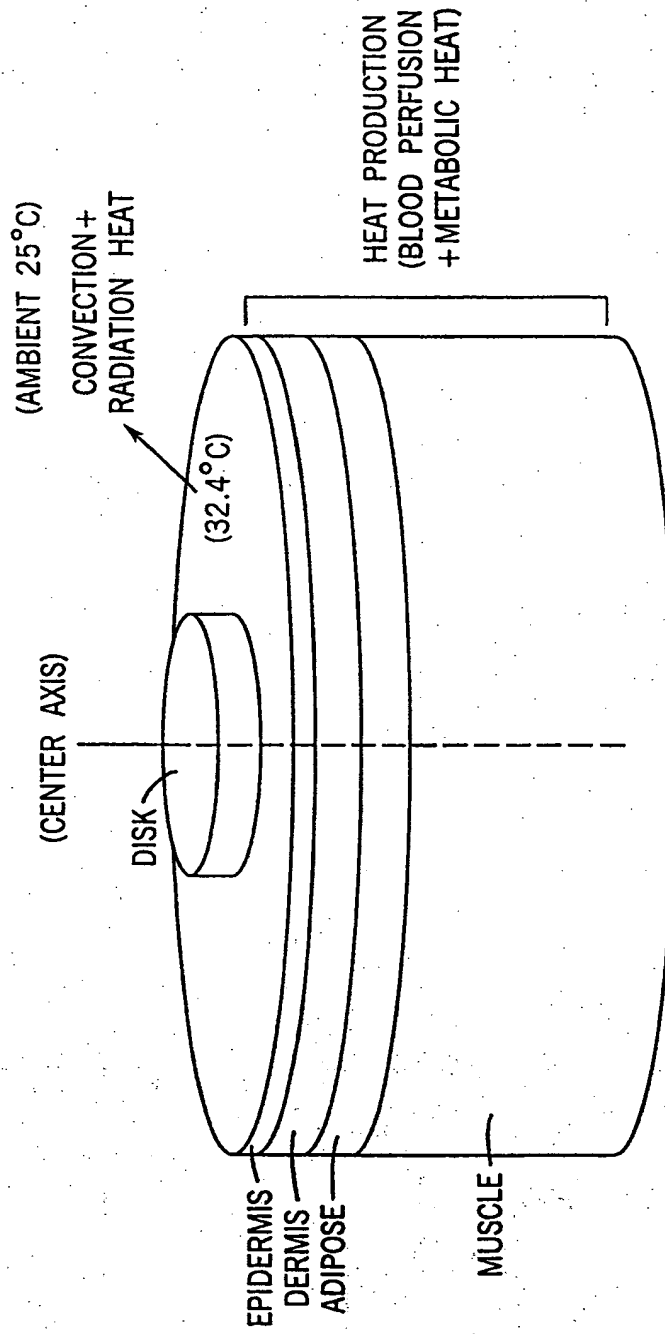
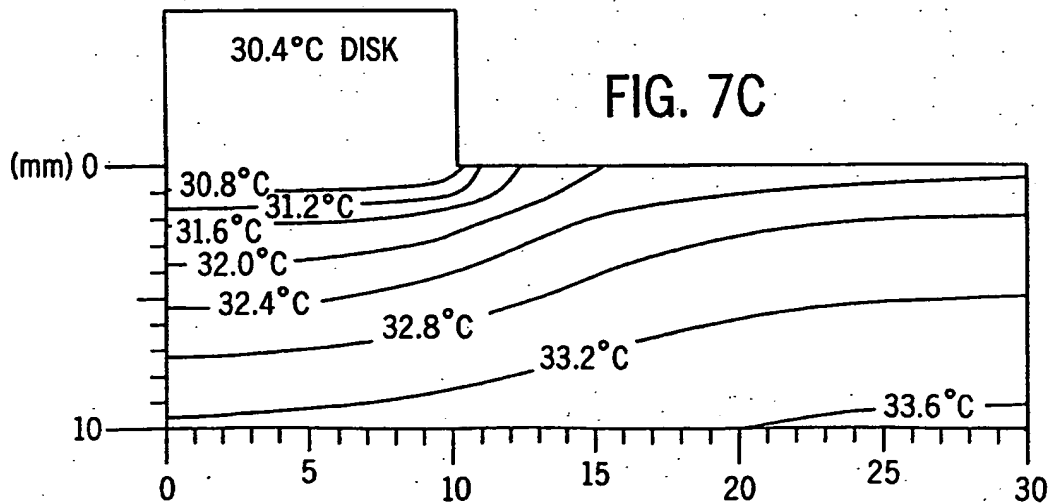
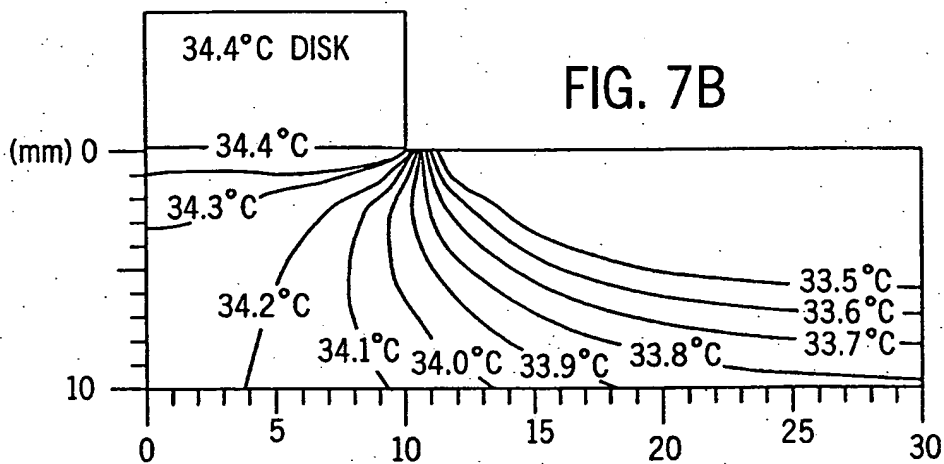
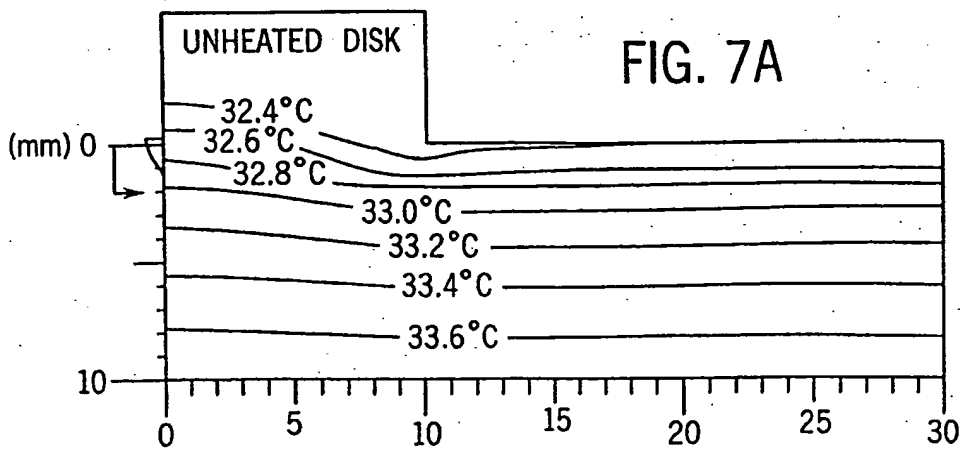


FIG. 6



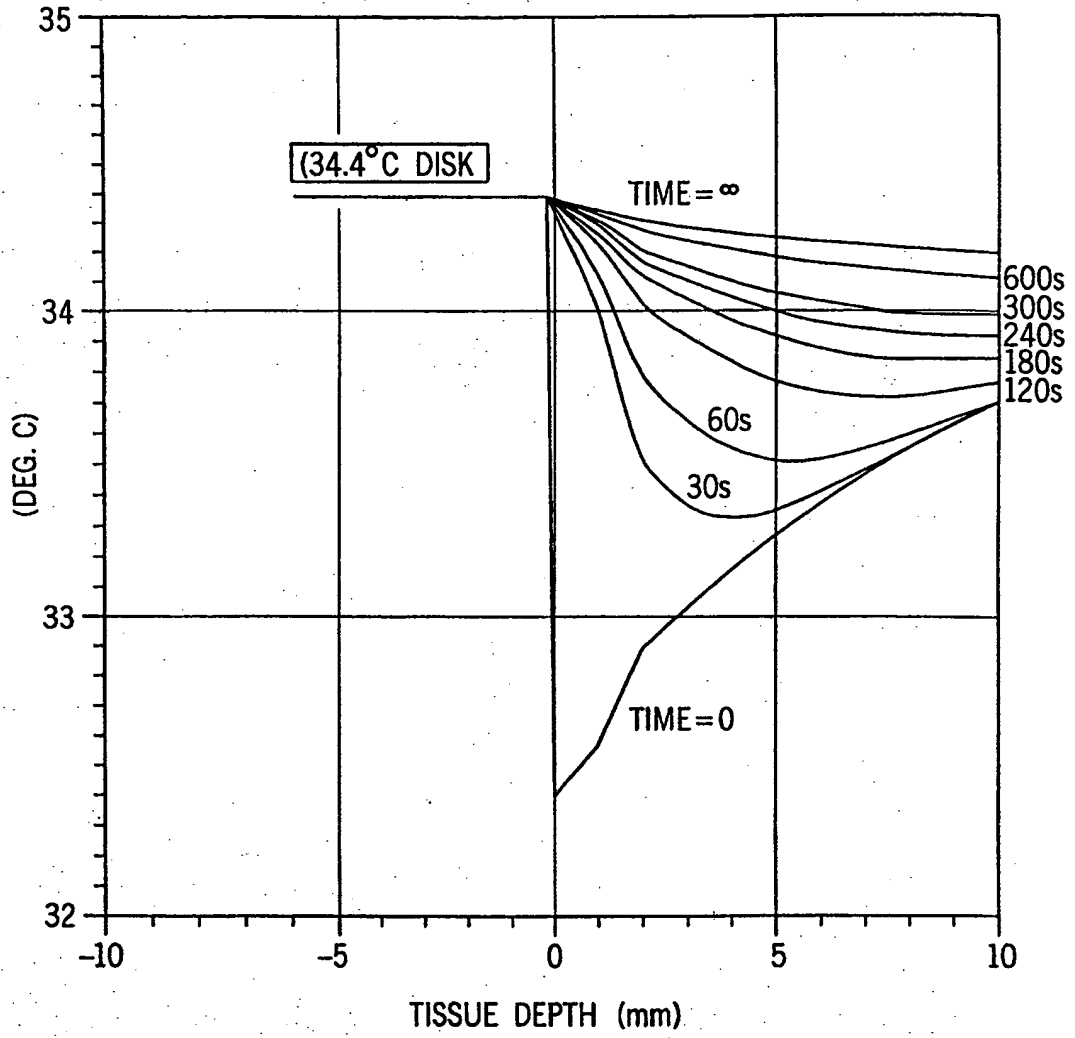


FIG. 8

FIG. 9

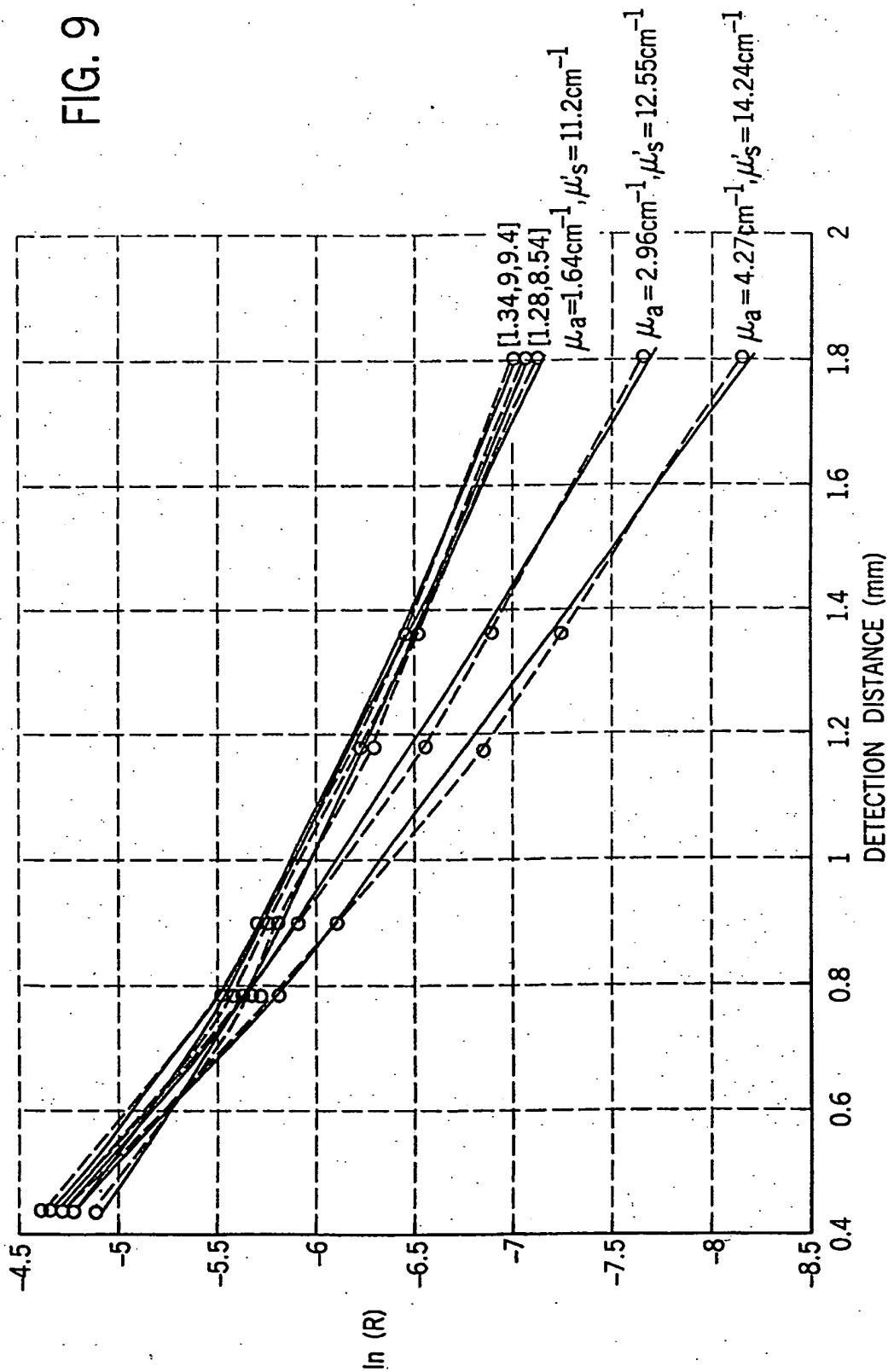


FIG. 10

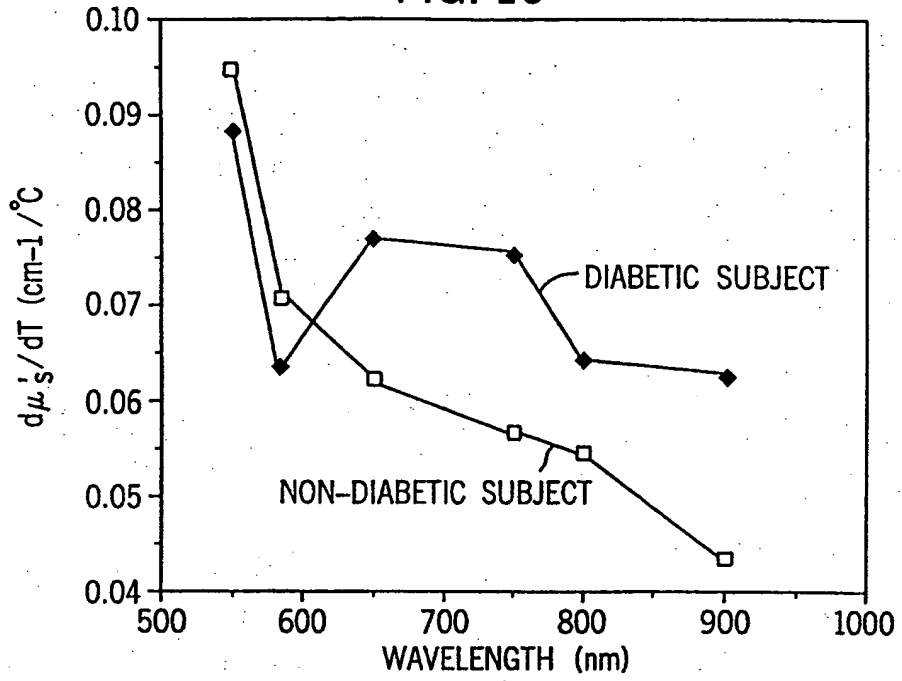


FIG. 11

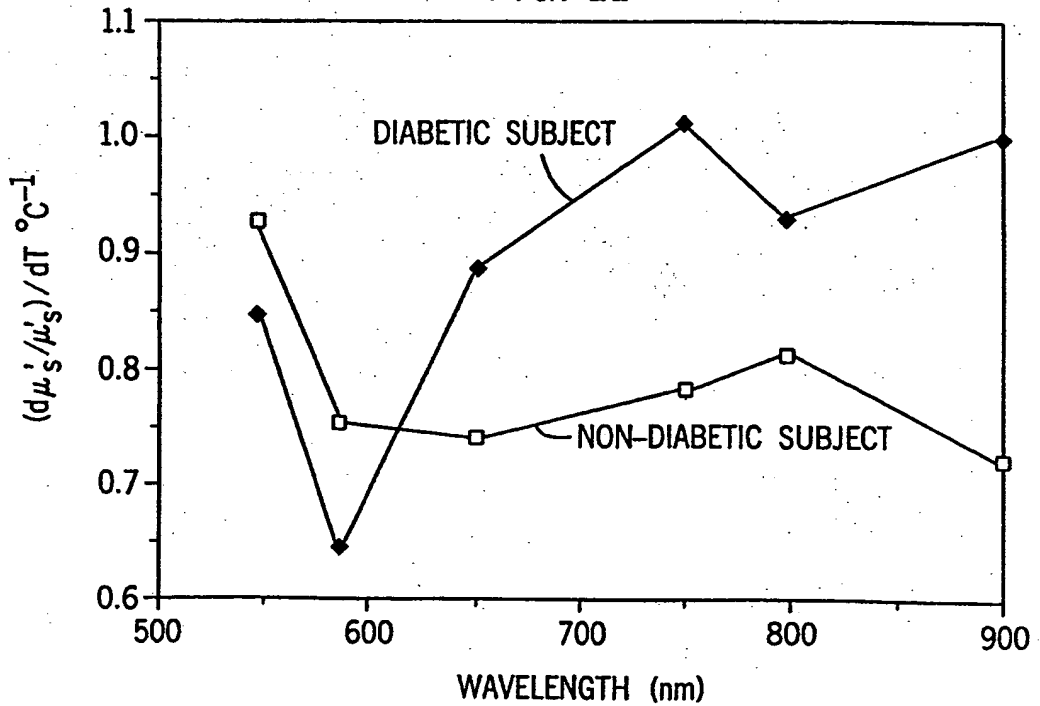
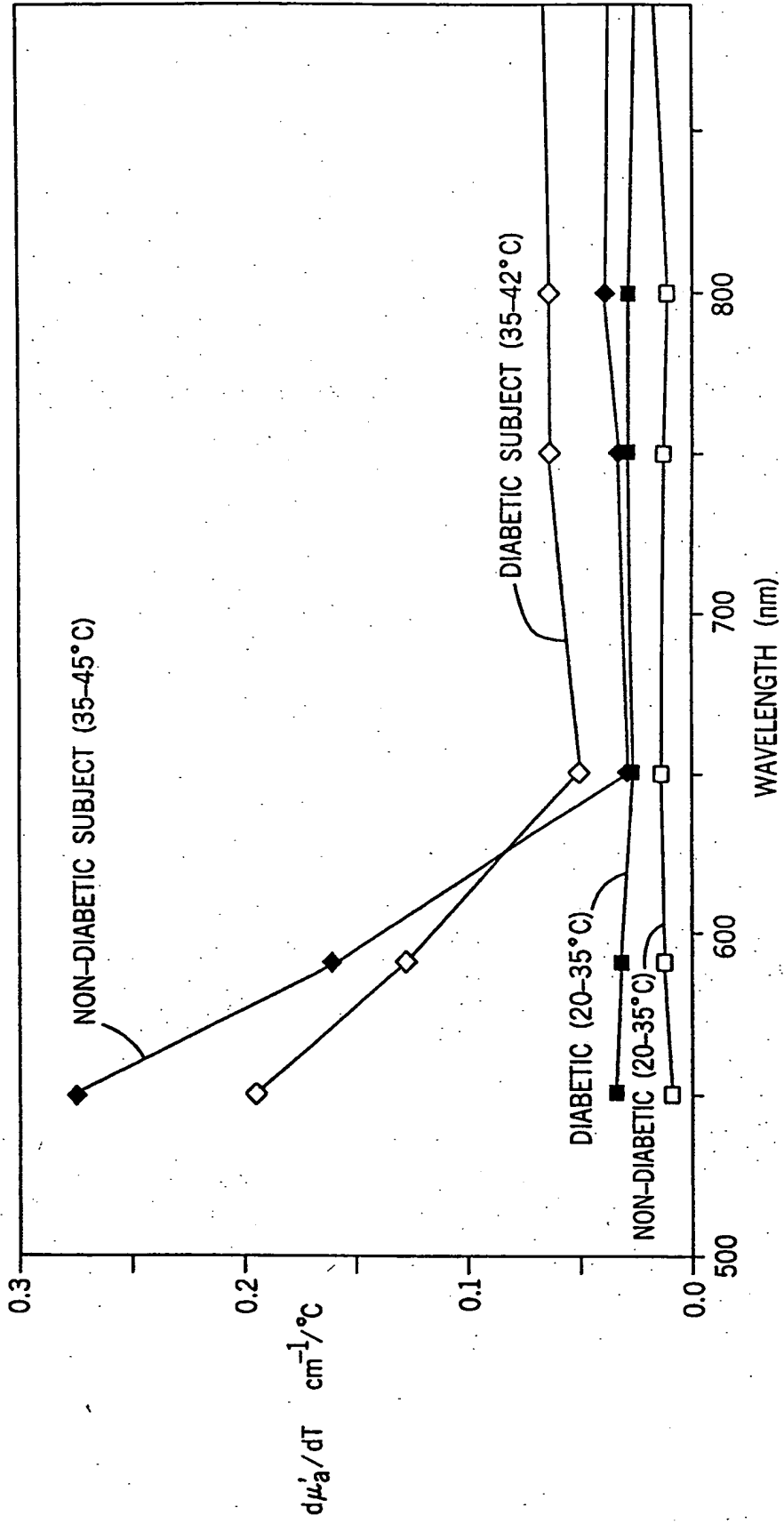


FIG. 12



INTERNATIONAL SEARCH REPORT

Inter. Appl. Application No

PCT/US 99/10812

A. CLASSIFICATION OF SUBJECT MATTER
 IPC 6 A61B5/00 G01N21/47

According to International Patent Classification (IPC) or to both national classification and IPC

B. FIELDS SEARCHED

Minimum documentation searched (classification system followed by classification symbols)
 IPC 6 A61B G01N

Documentation searched other than minimum documentation to the extent that such documents are included in the fields searched

Electronic data base consulted during the international search (name of data base and, where practical, search terms used)

C. DOCUMENTS CONSIDERED TO BE RELEVANT

Category *	Citation of document, with indication, where appropriate, of the relevant passages	Relevant to claim No.
X	WO 98 03847 A (MILLS ALEXANDER K) 29 January 1998 (1998-01-29)	1-3, 7-10, 12-18, 22-26, 30-33, 35, 36
Y	page 1, line 4 - line 14 page 3, line 25 - line 29 page 7, line 29 - page 8, line 19 page 10, line 20 - page 11, line 5 page 11, line 23 - line 30 page 12, line 19 - line 22 page 12, line 23 - page 13, line 32 page 19, line 14 - line 22 page 20, line 4 - line 9 -/--	4-6, 11, 19-21, 27-29, 34, 37, 38

Further documents are listed in the continuation of box C.

Patent family members are listed in annex.

* Special categories of cited documents:

"A" document defining the general state of the art which is not considered to be of particular relevance

"E" earlier document but published on or after the international filing date

"L" document which may throw doubts on priority claim(s) or which is cited to establish the publication date of another citation or other special reason (as specified)

"O" document referring to an oral disclosure, use, exhibition or other means

"P" document published prior to the international filing date but later than the priority date claimed

"T" later document published after the international filing date or priority date and not in conflict with the application but cited to understand the principle or theory underlying the invention

"X" document of particular relevance; the claimed invention cannot be considered novel or cannot be considered to involve an inventive step when the document is taken alone

"Y" document of particular relevance; the claimed invention cannot be considered to involve an inventive step when the document is combined with one or more other such documents, such combination being obvious to a person skilled in the art.

"&" document member of the same patent family

Date of the actual completion of the international search

16 July 1999

Date of mailing of the international search report

26/07/1999

Name and mailing address of the ISA

European Patent Office, P.B. 5818 Patentlaan 2
 NL - 2280 HV Rijswijk
 Tel. (+31-70) 340-2040, Tx. 31 651 epo nl,
 Fax: (+31-70) 340-3016

Authorized officer

Navas Montero, E

1

INTERNATIONAL SEARCH REPORT

Intern. Patent Application No

PCT/US 99/10812

C.(Continuation) DOCUMENTS CONSIDERED TO BE RELEVANT		
Category	Citation of document, with indication, where appropriate, of the relevant passages	Relevant to claim No.
	<p>page 21, line 20 - line 25 page 20, line 24 - line 28 claims 1,2,11,12 figures 5,6</p> <p>----</p>	
Y	<p>US 5 672 875 A (BLOCK MYRON J ET AL) 30 September 1997 (1997-09-30) column 1, line 28 - line 38 column 7, line 6 - line 15 figures 1,3</p> <p>----</p>	4,6,19, 27
Y	<p>DE 196 34 152 A (SIEMENS AG) 5 March 1998 (1998-03-05) column 1, line 41 - line 46 column 1, line 48 - line 58 column 1, line 65 - column 2, line 11 claims 1,3-5,7; figures 1,2</p> <p>----</p>	5,20,28, 37,38
Y	<p>WO 95 20757 A (MINNESOTA MINING & MFG) 3 August 1995 (1995-08-03) page 17, line 3 - line 8 figure 2; table 1</p> <p>----</p>	11,21,29
Y	<p>DE 44 17 639 A (BOEHRINGER MANNHEIM GMBH) 23 November 1995 (1995-11-23) column 4, line 42 - line 49 column 6, line 15 - line 30</p> <p>----</p>	34
X	<p>US 5 131 391 A (SAKAI HIROSHI ET AL) 21 July 1992 (1992-07-21) column 1, line 31 - line 43 column 2, line 47 - line 57; figures 1,2,5</p> <p>-----</p>	1

INTERNATIONAL SEARCH REPORT

Information on patent family members

Inter. Patent Application No

PCT/US 99/10812

Patent document cited in search report	Publication date	Patent family member(s)	Publication date
WO 9803847 A	29-01-1998	AU 3721997 A	10-02-1998
US 5672875 A	30-09-1997	US 5818048 A	06-10-1998
		US 5424545 A	13-06-1995
		US 5434412 A	18-07-1995
		AU 5382696 A	30-12-1996
		CA 2223408 A	19-12-1996
		EP 0884970 A	23-12-1998
		WO 9639922 A	19-12-1996
		WO 9614567 A	17-05-1996
		CA 2180128 A	20-07-1995
		EP 0742897 A	20-11-1996
		JP 9510884 T	04-11-1997
		WO 9519562 A	20-07-1998
		AU 689137 B	26-03-1998
		AU 7842894 A	01-05-1995
		CA 2173200 A	13-04-1995
		EP 0721579 A	17-07-1996
		JP 9503585 T	08-04-1997
		WO 9510038 A	13-04-1995
		US 5818044 A	06-10-1998
		US 5578678 A	26-11-1996
		US 5543459 A	06-08-1996
DE 19634152 A	05-03-1998	WO 9808076 A	26-02-1998
WO 9520757 A	03-08-1995	US 5553615 A	10-09-1996
		EP 0742896 A	20-11-1996
		JP 9508291 T	26-08-1997
		US 5755226 A	26-05-1998
DE 4417639 A	23-11-1995	AU 2342595 A	18-12-1995
		WO 9532416 A	30-11-1995
		DE 19580537 D	01-04-1999
		EP 0760091 A	05-03-1997
		JP 10500338 T	13-01-1998
		US 5770454 A	23-06-1998
US 5131391 A	21-07-1992	JP 2766317 B	18-06-1998
		JP 3023846 A	31-01-1991